

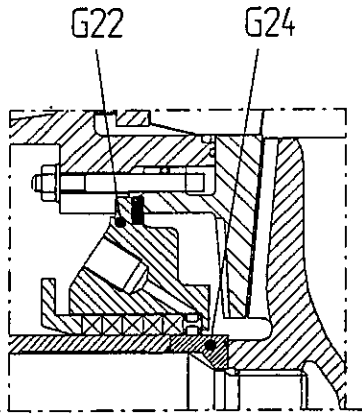
SVEDALA



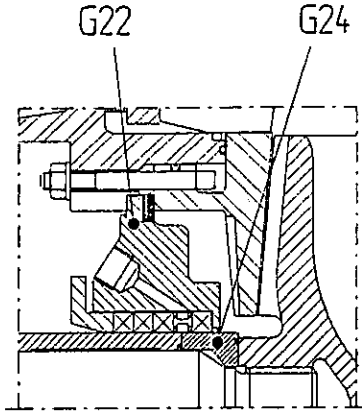
Svedala Pumps & Process

PUMP ORION HM 150/100
FRAME E PUMP
SPARE PART DRAWING

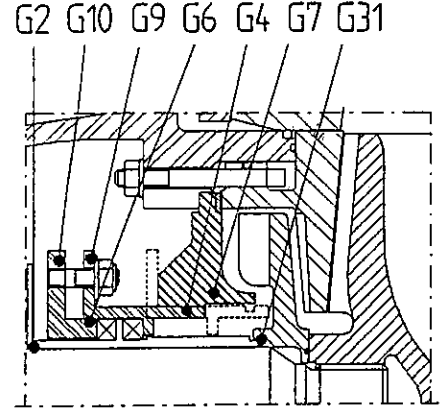
204-5
9546
1/1



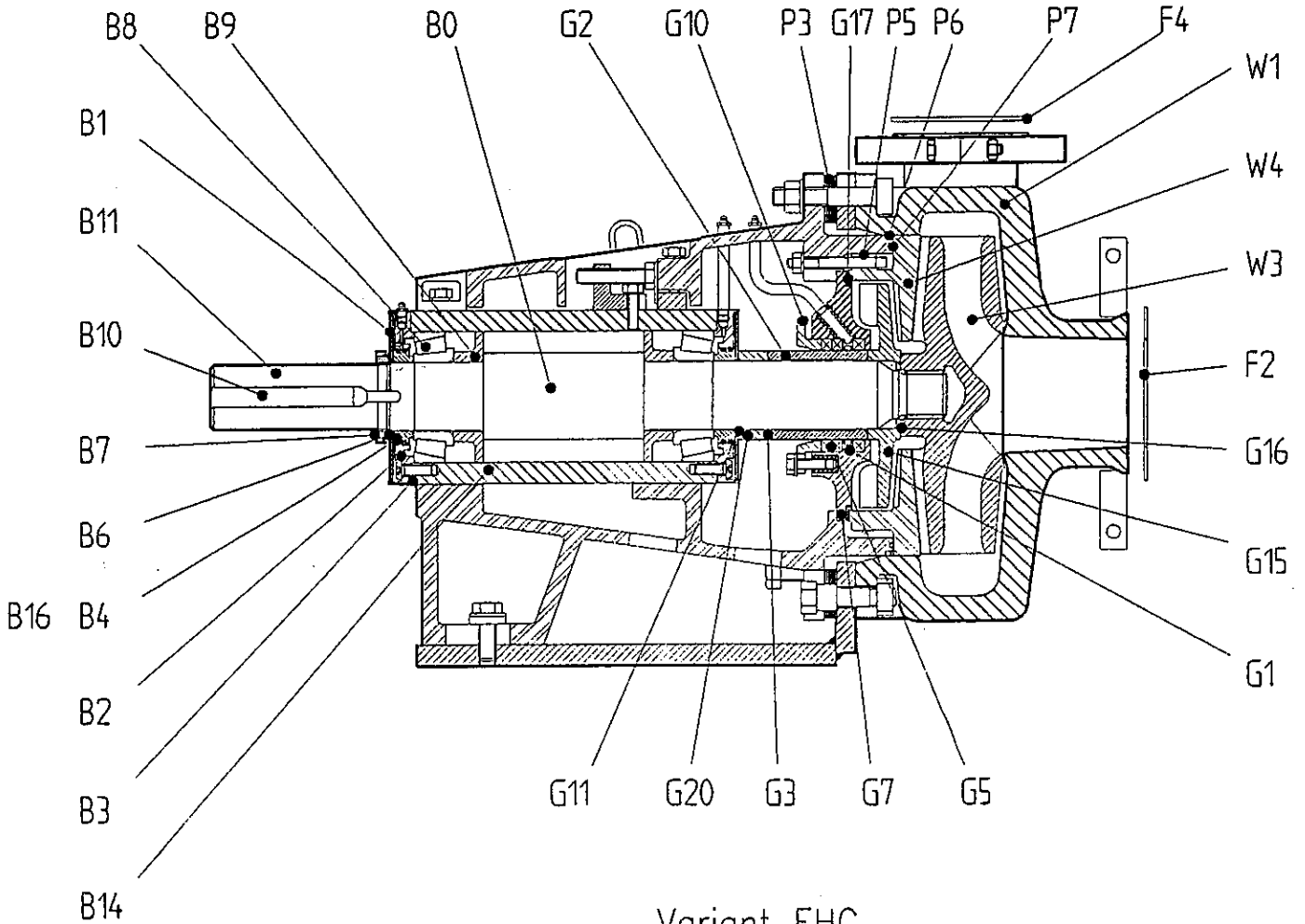
Variant FFP



Variant LFP



Variant 2HC



Variant EHC



| Item | Part No. | Description | Variant | | | | Unit weight kg |
|-------------------------------|------------|------------------------|---------|-----|-----|-----|-------------------|
| | | | EHC | FFP | LFP | 2HC | |
| WEAR PARTS | | | | | | | |
| W1 | PD733110 | CASING | 1 | 1 | 1 | 1 | |
| W3 | PD711147 | IMPELLER HM | 1 | 1 | 1 | 1 | |
| W4 | PD721041 | BACK LINER | 1 | 1 | 1 | 1 | |
| SHAFT SEAL | | | | | | | |
| G 1 | PD730063 | LANTERN RING | 1 | 1 | 1 | - | |
| G 2 | PD730075 | SHAFT SLEEVE | 1 | 1 | 1 | - | |
| G 2 | PDCF1275-2 | SHAFT SLEEVE | - | - | - | 1 | |
| G 5 | PD730011 | PACKING | 3 | 5 | 5 | - | |
| G 5 | Z2515282 | PACKING | - | - | - | 2 | |
| G 7 | PDCH1120 | EXPELLER RING | - | - | - | 1 | |
| G 7 | PDCH177 | EXPELLER RING | 1 | - | - | - | |
| G 9 | PDCF1277 | PACKING HOLDER | - | - | - | 1 | |
| G10 | PD730044 | GLAND FOLLOWER | 1 | 1 | 1 | - | |
| G10 | PDCF1423 | GLAND FOLLOWER | - | - | - | 1 | |
| G15 | PD711028 | EXPELLER | 1 | - | - | 1 | |
| G20 | PD730017 | SLEEVE SPACER | 1 | 1 | 1 | - | |
| G22 | PD730078 | STUFFING BOX | - | 1 | - | - | |
| G24 | PD730016 | SPACER | - | 1 | 1 | - | |
| BEARING ASSEMBLY PARTS | | | | | | | |
| B 0 | PD731005 | BEARING/SHAFT ASSEMBLY | 1 | 1 | 1 | 1 | |
| B1 | PD730099 | FLINGER | 2 | 2 | 2 | 2 | |
| B10 | PD730070 | KEY | 1 | 1 | 1 | 1 | |
| B11 | PD731073 | SHAFT | 1 | 1 | 1 | 1 | |
| B14 | PD730004 | BEARING HOUSING | 1 | 1 | 1 | 1 | |
| B16 | Z3045338 | O-RING | 2 | 2 | 2 | 2 | |
| B2 | PD730024 | END COVER | 2 | 2 | 2 | 2 | |
| B3 | PD730025 | SHIM | 1 | 1 | 1 | 1 | |
| B4 | PD730008 | PISTON RING | 4 | 4 | 4 | 4 | |
| B6 | PD730062 | LABYRINTH | 2 | 2 | 2 | 2 | |
| B7 | PD730061 | NUT | 1 | 1 | 1 | 1 | |
| B8 | PD730009 | BEARING | 2 | 2 | 2 | 2 | |
| B9 | PD730046 | GREASE RETAINER | 2 | 2 | 2 | 2 | |
| SPARE PARTS | | | | | | | |
| F 2 | PD701032 | JOINT | 1 | 1 | 1 | 1 | |
| F 4 | PD702032 | JOINT | 1 | 1 | 1 | 1 | |
| G 3 | PD712050 | O-RING | 2 | 2 | 2 | - | |
| G 3 | PD770050 | O-RING | - | - | - | 2 | |
| G 4 | Z3045510 | O-RING | - | - | - | 1 | |
| G 6 | Z3050318 | O-RING | - | - | - | 1 | |
| G17 | PD730022 | STUFFING BOX SEAL | 1 | 1 | 1 | 1 | |
| P 3 | PD730097 | SHIM | 22 | 22 | 22 | 22 | |
| P 5 | PD741050 | O-RING | 1 | 1 | 1 | 1 | |
| P 6 | PD701050 | O-RING | 1 | 1 | 1 | 1 | |
| P 7 | PD781050 | O-RING | 1 | 1 | 1 | 1 | |
| G11 | PD770050 | O-RING | 1 | 1 | 1 | - | |
| G16 | PD712050 | O-RING | 1 | 1 | 1 | 1 | |