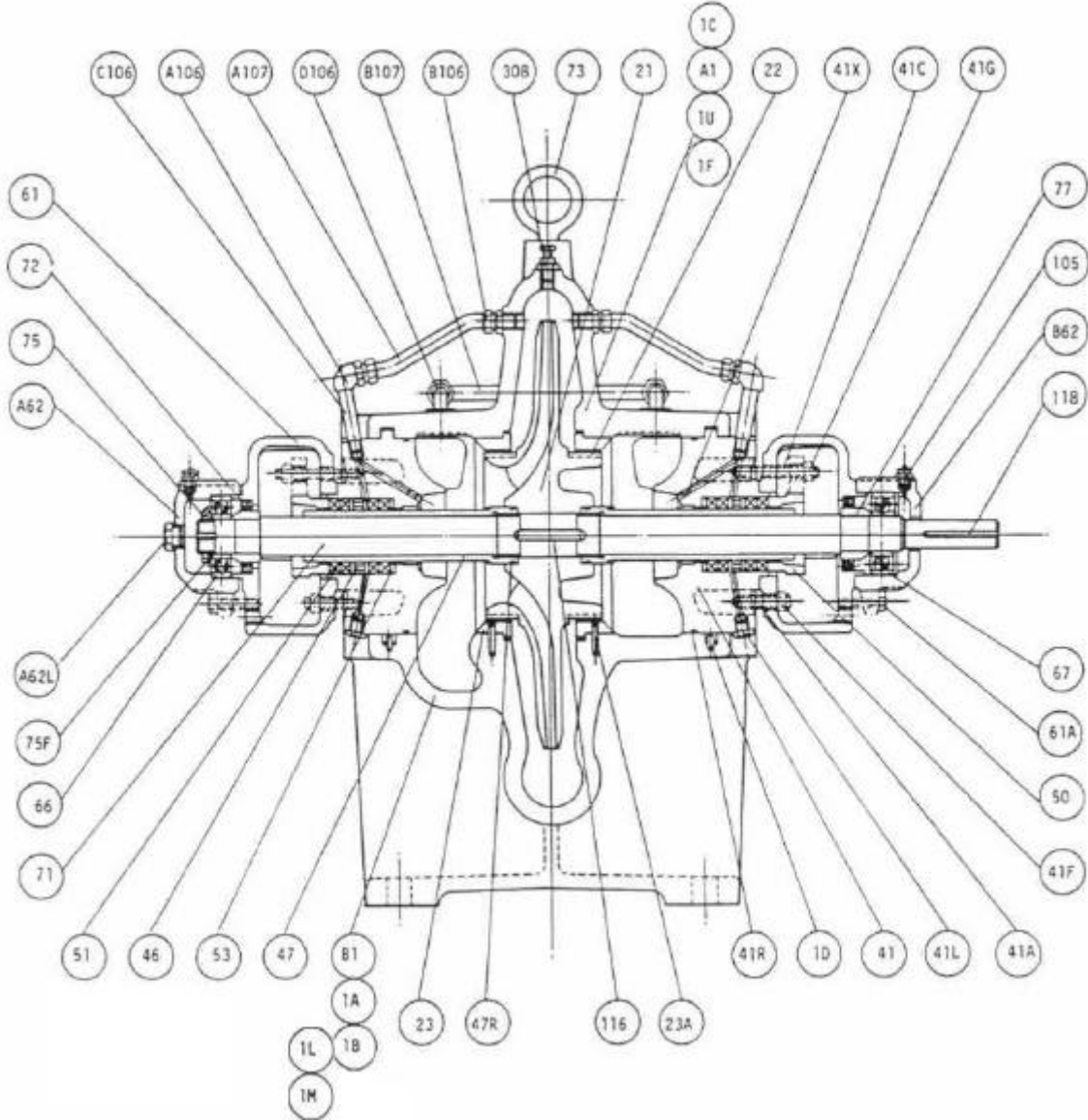
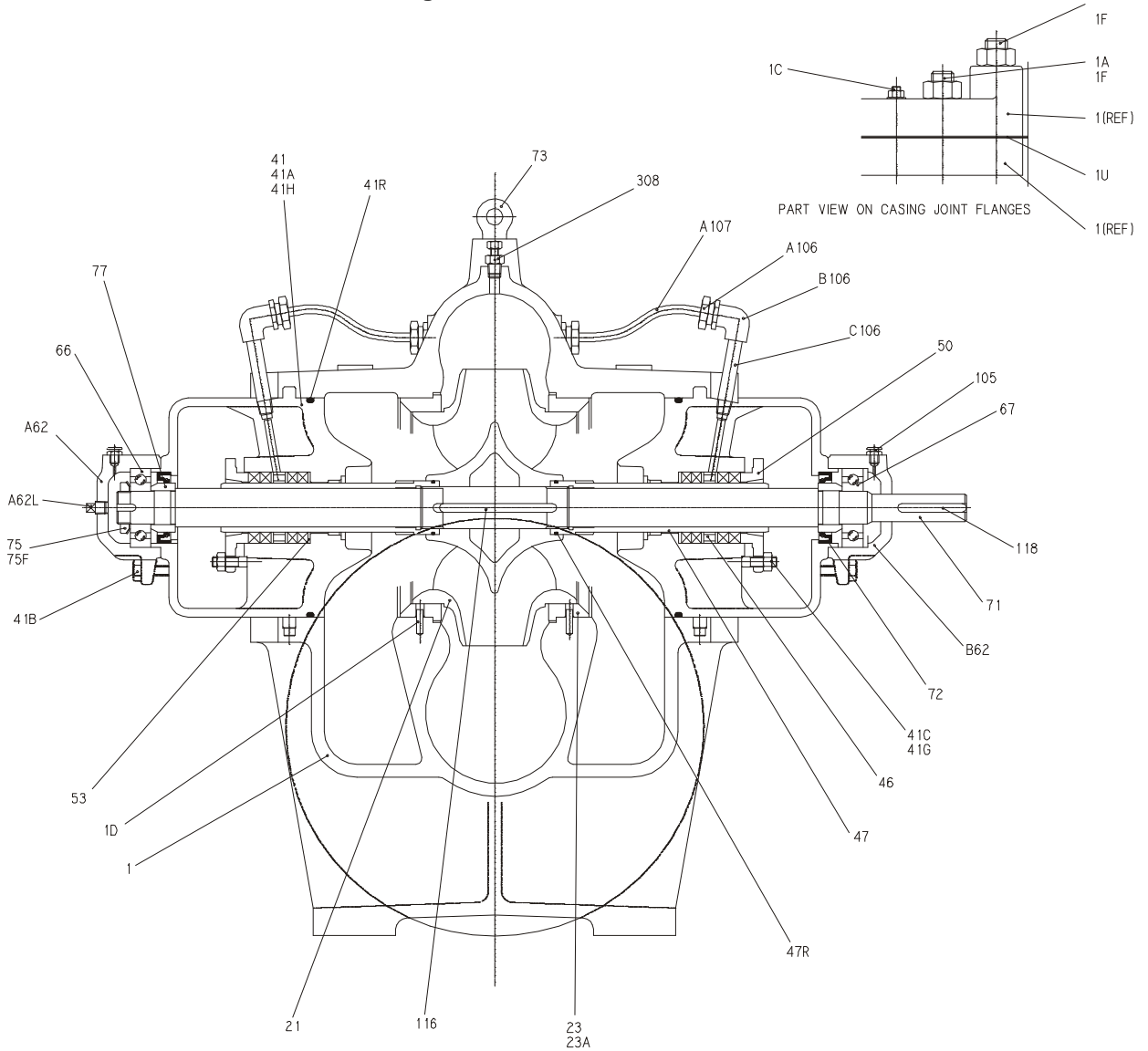


## MODULE 1 & 2 - Soft Packed Sectional Arrangement - Single Stage



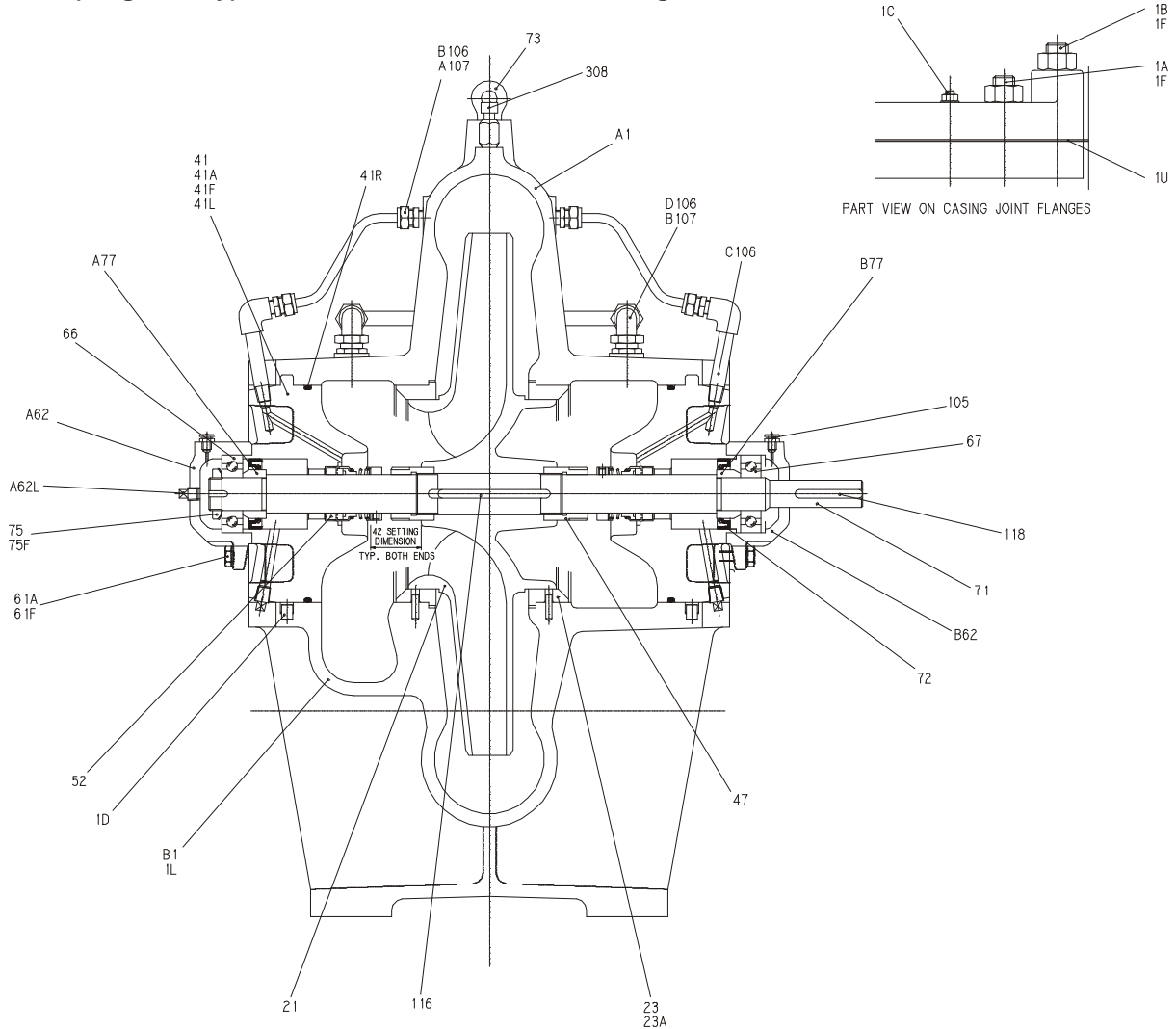
ITEM No.	DESCRIPTION	ITEM No.	DESCRIPTION	ITEM No.	DESCRIPTION
A1	CASING - TOP	41G	NUT	71	SHAFT
B1	CASING - BOTTOM	41L	PLUG	72	OIL SEAL
1A	STUD - CASING	41R	'O' RING - INSERT	72X	LOCATING SLEEVE
1B	STUD - CASING	46	LANTERN RING	73	EYE BOLT
1C	DOWEL PIN - CASING	47	SLEEVE	75	BRG RETAINING NUT
1D	DOWEL PIN - INSERT	47R	'O' RING	75F	LOCKING WASHER
1F	NUT - CASING	50	GLAND	77	SHOULDER RING
1U	GASKET - CASING	51	GLAND PACKING	105	GREASE NIPPLE
21	IMPELLER	53	SPACER RING	A106	STUD COUPLING
23	WEAR RING - CASING	61	SUPPORT FRAME	B106	ELBOW
23A	DOWEL PIN - WEAR RING	A62	BRG HOUSING - N.D.E.	C106	TUBULAR PIECE
41	INSERT	A62L	PLUG BRG. HOUSING - N.D.E.	A107	PIPE (BALANCING)
41B	HEX. HEAD SCREW	B62	BRG HOUSING - D.E.	116	KEY - IMPELLER
41C	STUD	66	BEARING - N.D.E.	118	KEY - COUPLING
41F	NUT	67	BEARING - D.E.	308	AIR VALVE

## MODULE 3 - Soft Packed Sectional Arrangement



ITEM No.	DESCRIPTION	ITEM No.	DESCRIPTION	ITEM No.	DESCRIPTION
1	CASING	41H	WASHER	72X	LOCATING SLEEVE
1A	STUD - CASING	41R	'O' RING - INSERT	73	EYE BOLT
1B	STUD - CASING	46	LANTERN RING	75	BRG RETAINING NUT
1C	DOWEL PIN - CASING	47	SLEEVE	75F	LOCKING WASHER
1D	DOWEL PIN - INSERT	47R	'O' RING	77	SHOULDER RING
1F	NUT - CASING	51	GLAND	105	GREASE NIPPLE
1U	GASKET - CASING	53	SPACER	A106	STUD COUPLING
21	IMPELLER	A62	BRG HOUSING - N.D.E.	B106	ELBOW
23	WEAR RING - CASING	A62L	PLUG BRG. HOUSING - N.D.E.	C106	TUBULAR PIECE
23A	DOWEL PIN - WEAR RING	B62	BRG HOUSING - D.E.	A107	PIPE (BALANCING)
41	INSERT	66	BEARING - N.D.E.	116	KEY - IMPELLER
41B	HEX. HEAD SCREW	67	BEARING - D.E.	118	KEY - COUPLING
41C	STUD	71	SHAFT	308	AIR VALVE
41G	NUT	72	OIL SEAL		

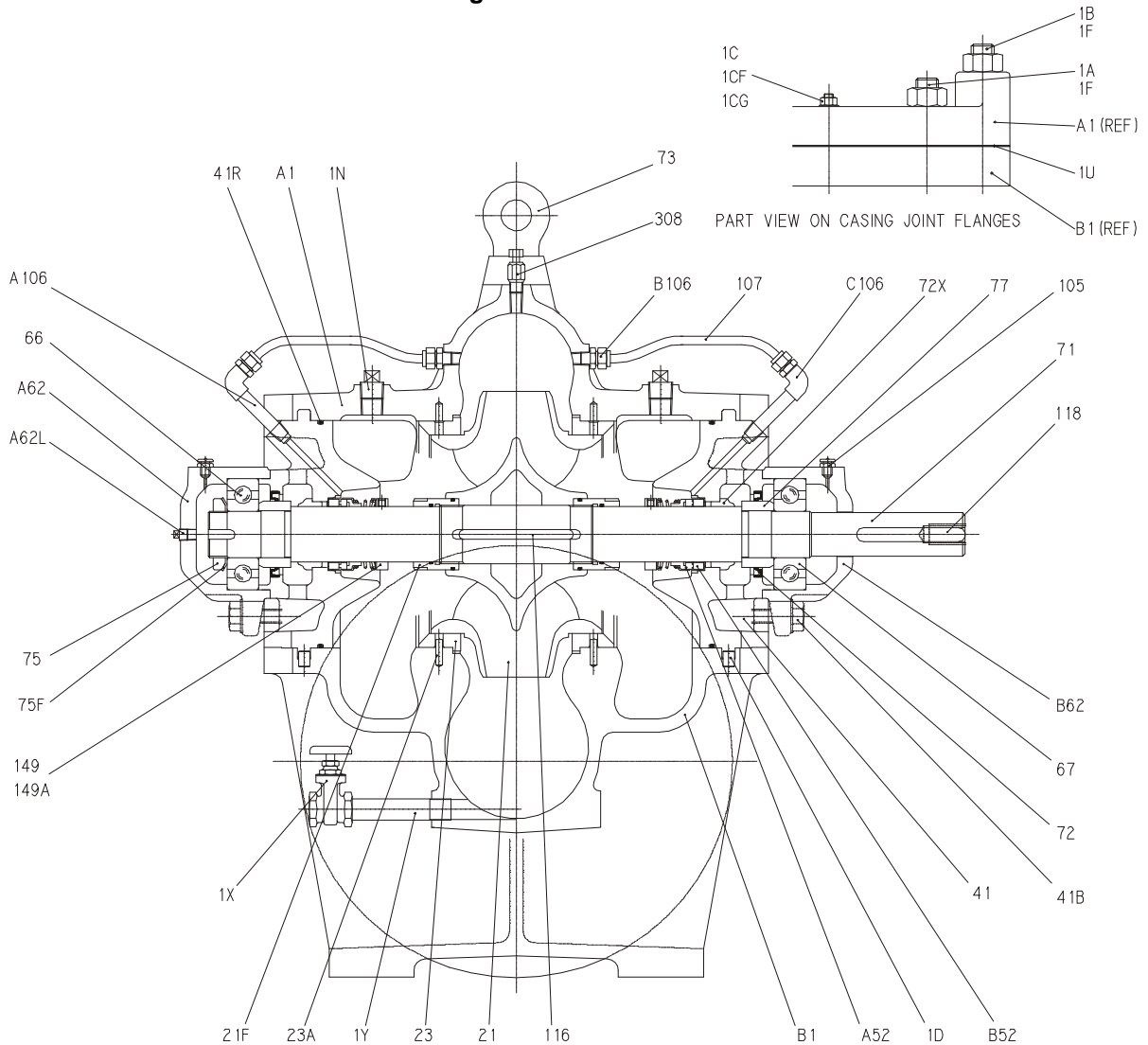
## MODULE 1 (Single Entry) - Mechanical Seal Sectional Arrangement



ITEM No.	DESCRIPTION	ITEM No.	DESCRIPTION	ITEM No.	DESCRIPTION
A1	CASING - TOP HALF	23A	DOWEL PIN - WEAR RING	72	OIL SEAL
B1	CASING - BOTTOM HALF	41	INSERT	72X	LOCATING SLEEVE
1A	STUD - CASING	41B	HEX. HEAD SCREW - INSERT	73	EYE BOLT
1B	STUD - CASING	41L	PLUG - INSERT	75	BRG RETAINING NUT
1C	DOWEL PIN - CASING	41R	'O' RING - INSERT	75F	LOCKING WASHER
1D	DOWEL PIN - INSERT	41X	DOWEL PIN - INSERT	77	SHOULDER RING
1F	NUT - CASING	A52	MECH SEAL - ROT. ELEMENT	105	GREASE NIPPLE
1L	PLUG - GAUGE	B52	MECH SEAL - STAT. ELEMENT	D106	M.S. COUPLING ELBOW
1M	PLUG - DRAIN	B52X	SPACER RING - MECH SEAL	B107	PIPE (BALANCING)
1P	PLUG - FLUSHING	A62	BRG HOUSING - N.D.E.	116	KEY - IMPELLER
1U	GASKET - CASING	A62L	PLUG BRG. HOUSING - N.D.E.	118	KEY - COUPLING
21	IMPELLER	B62	BRG HOUSING - D.E.	149	LOCATING RING - M.S.
21F	LOCKNUT - IMPELLER	66	BEARING - N.D.E.	149A	SET SCREW
22	WEAR RING - IMPELLER	67	BEARING - D.E.	308	AIR VALVE
23	WEAR RING - CASING	71	SHAFT		



## MODULE 3 - Mechanical Seal Sectional Arrangement



ITEM No.	DESCRIPTION	ITEM No.	DESCRIPTION	ITEM No.	DESCRIPTION
A1	CASING - TOP HALF	23A	DOWEL PIN - WEAR RING	72	OIL SEAL
B1	CASING - BOTTOM HALF	41	INSERT	72X	LOCATING SLEEVE
1A	STUD - CASING	41B	HEX. HEAD SCREW - INSERT	73	EYE BOLT
1B	STUD - CASING	41L	PLUG - INSERT	75	BRG RETAINING NUT
1C	DOWEL PIN - CASING	41R	'O' RING - INSERT	75F	LOCKING WASHER
1D	DOWEL PIN - INSERT	41X	DOWEL PIN - INSERT	77	SHOULDER RING
1F	NUT - CASING	A52	MECH SEAL - ROT. ELEMENT	105	GREASE NIPPLE
1L	PLUG - GAUGE	B52	MECH SEAL - STAT. ELEMENT	D106	M.S. COUPLING ELBOW
1M	PLUG - DRAIN	B52X	SPACER RING - MECH SEAL	B107	PIPE (BALANCING)
1P	PLUG - FLUSHING	A62	BRG HOUSING - N.D.E.	116	KEY - IMPELLER
1U	GASKET - CASING	A62L	PLUG BRG. HOUSING - N.D.E.	118	KEY - COUPLING
21	IMPELLER	B62	BRG HOUSING - D.E.	149	LOCATING RING - M.S.
21F	LOCKNUT - IMPELLER	66	BEARING - N.D.E.	149A	SET SCREW
22	WEAR RING - IMPELLER	67	BEARING - D.E.	308	AIR VALVE
23	WEAR RING - CASING	71	SHAFT		