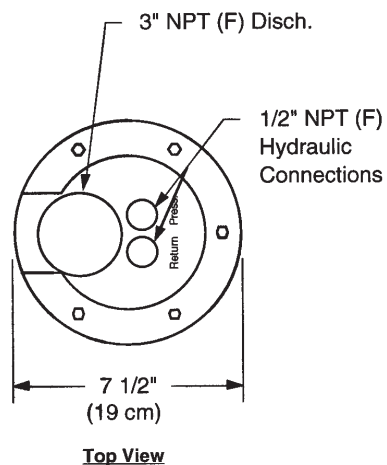
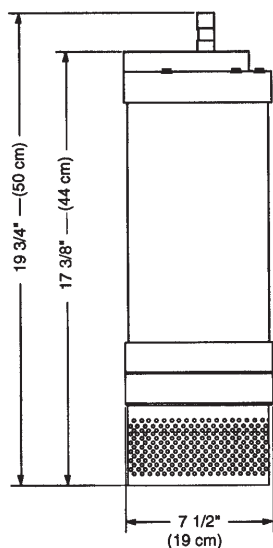


DEWATERING HYDRAFLOW DATA SHEET

S3A 80MM HYDRAULIC SUBMERSIBLE PUMP

The SPP HYDRAFLOW S3A Hydraulic Drive Submersible Pump is designed as a dewatering pump for use in areas where space is limited. Typical uses for this pump include manhole, vault, blasthole, mine and construction jobsite dewatering.

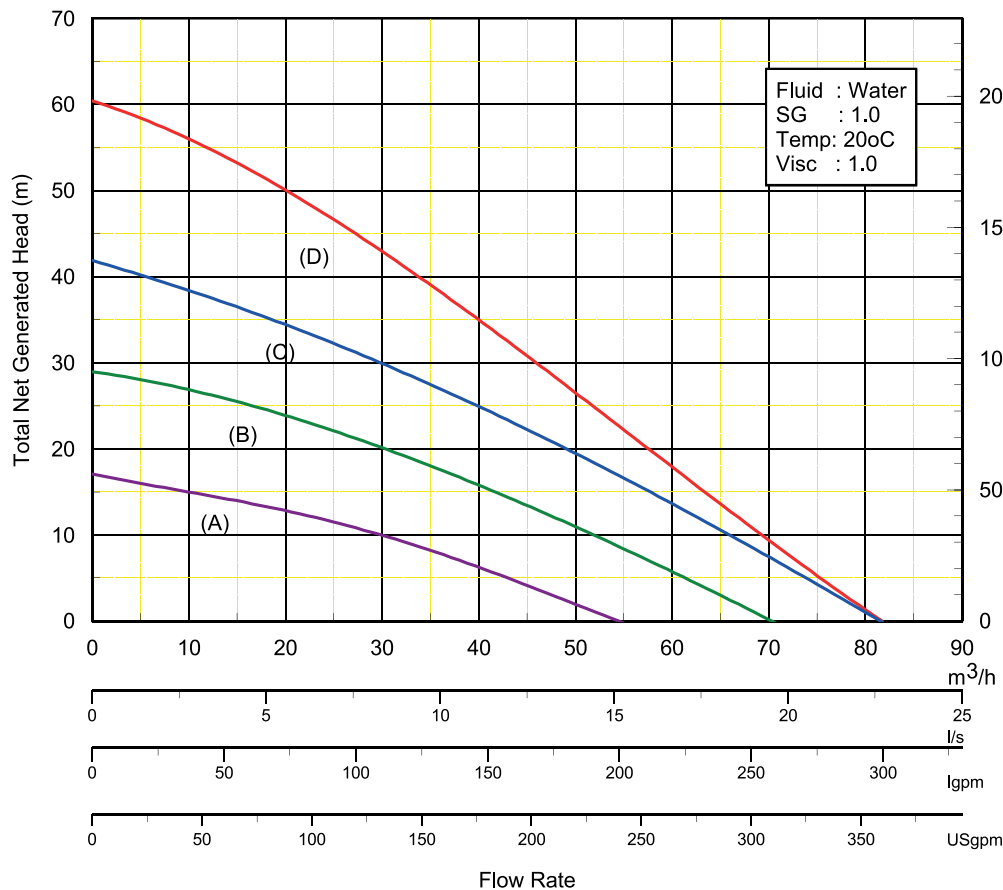


DESIGN FEATURES

- Slim line design fits through 200 mm openings.
- Hardened Stainless Steel impeller to resist wear.
- Rubber coated suction case resists abrasion.
- Variable Speed Hydraulic Drive.
- Oil Lubricated Mechanical Seal - pump can run dry.
- Safe Hydraulic Drive can be used where electric power is hazardous or impractical.
- Operates with our HT11D, HT25D, HT35D or HSQ35D Hydraulic Power Units or any open centre power source with output flows to 45 l/m.

DEWATERING

HYDRAFLOW DATA SHEET



Hydraulic Input: (A) 22 l/m @ 69 bar (B) 25 l/m @ 114 bar
(C) 38 l/m @ 158 bar (D) * 45 l/m @ 158 bar
* Typical performance with HT25D

HYDRAULIC SUBMERSIBLE PUMP

PUMP TYPE	S3A
BRANCH SIZES	Suction: 75mm x Disch: 75mm
IMPELLER	Centrifugal
SOLIDS HANDLING	7 mm diameter
HYDRAULIC MOTOR	Gear
INPUT - HYDRAULIC FLOW	45 l/mm ³ /h
INPUT - HYDRAULIC PRESSURE	158 bar
HYDRAULIC OIL	ISO 46
HYDRAULIC OIL TEMPERATURE	Max 140°F

PUMP SPECIFICATIONS

FLOW RATE	82 m ³ /h Maximum
DISCHARGE HEAD	60 m Maximum
WEIGHT	19 kg
HEIGHT	500 mm
MAX DIAMETER	190 mm
MAX SOLIDS SIZE	7 mm Diameter
HOSE PORT	1/2" NPT F
SUCTION FLANGE	n/a
DISCHARGE PORT	3" NPT F
POWER SOURCE	HT11D, HT25D, HT35D or HSQ35D
PUMP CASING	Anodised Aluminium
IMPELLER	17-4 PH Stainless Steel
WEAR RING &/OR PLATE	Polyethylene
SHAFT	Stainless Steel
SHAFT SEAL - STANDARD	Silicon Carbide
ALTERNATIVE SEAL	Refer to SPP
ELASTOMERS - STANDARD	Buna (N)
HYDRAULIC OIL	214-320 s.s.u. @ 64 Deg. C
INPUT FLOW	45 l/m Maximum
OPERATING PRESSURE	158 bar Maximum