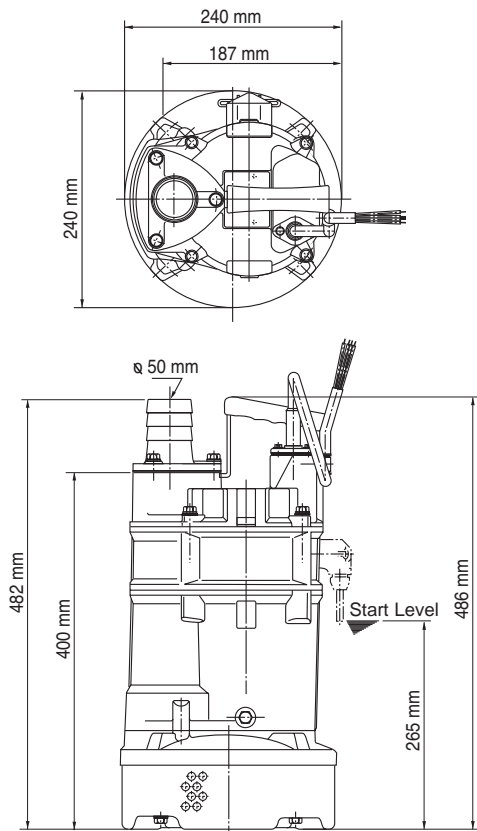
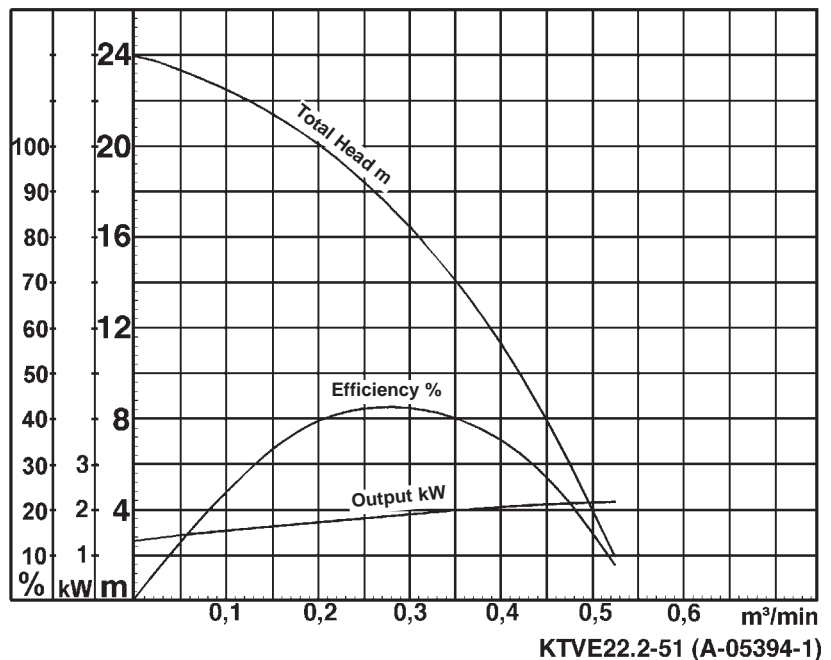


Data Sheet KTVE22.2-51



KTVE22.2-51



KTVE22.2-51 (A-05394-1)

Classification

Automatic electric submersible pump with water sensor (electrode)
 Protection class IP68
 Depth of submersion max. 50m
 Semi-vortex impeller
 Max. solid handling 8,5mm
 Suitable for rain water, ground water, sand carrying water

Electric Motor

Dry-type submersible induction motor,
 Insulation class E, 2 poles, 2870 r.p.m.
 Direct on line start
 Voltage: 400V, 50Hz, 3-phase
 Power input: 2,67kW
 Power output: 2,20kW
 Nominal current: 4,3A
 Start current: 30,0A

Electric Cable

20m H07RN-F 4Cx1,5mm²

Motor Protection

Circle thermal protector
 (snap-action bi-metal device)

Shaft Seal

Double mechanical seal in oil bath
 additional lubrication by oil lifting device
 Primary Seal:
 silicon carbide on silicon carbide
 Secondary Seal:
 silicon carbide on carbon

Bearings

Shielded ball bearings, maintenance-free

Materials

Impeller: FCD700 (EN-GJS-700-2)
 Casing: Synthetic rubber
 Motor frame: Aluminium alloy casting ADC12
 Shaft: SUS403 (EN-X6Cr13)

Discharge Connection

2" (50mm) hose coupling

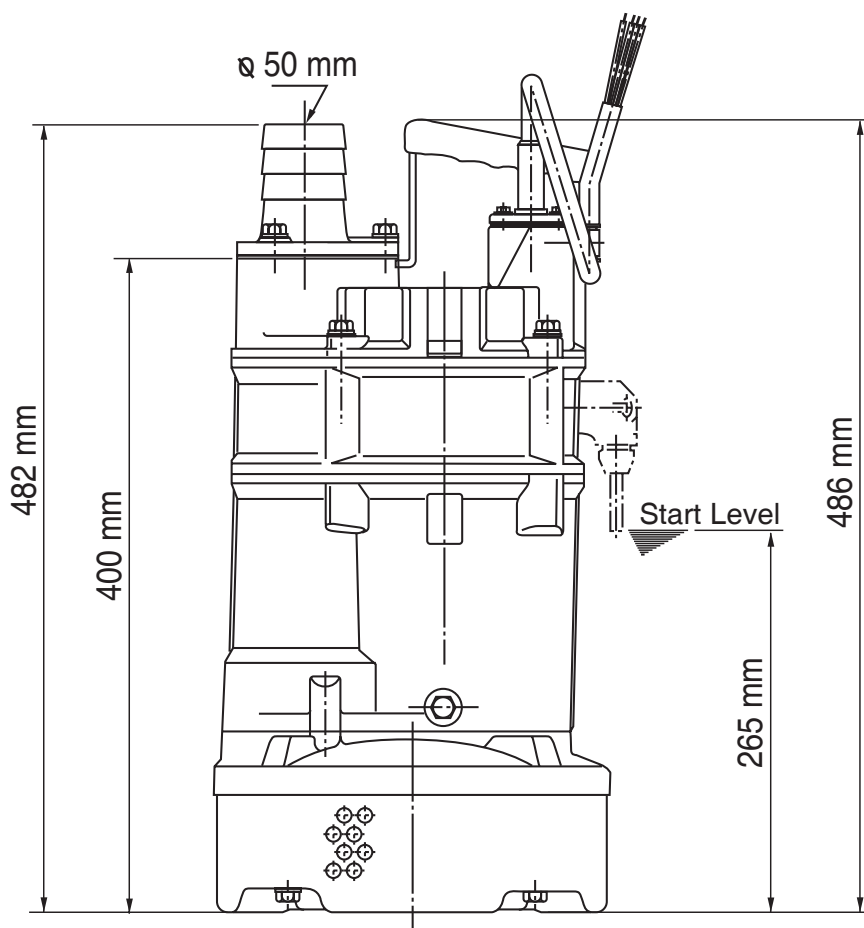
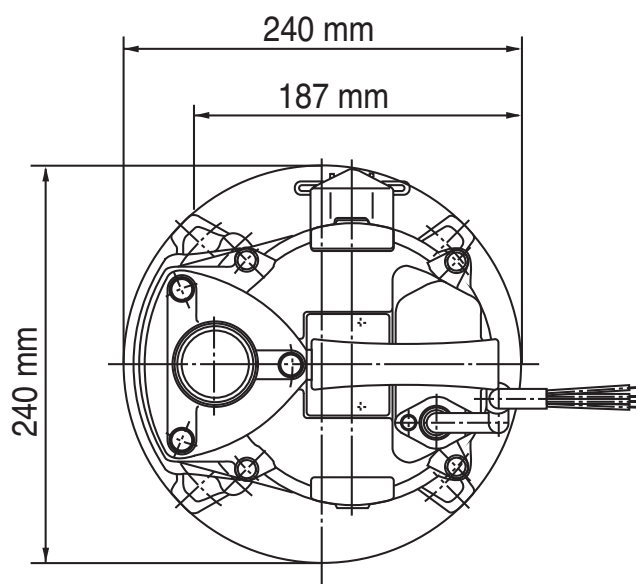
Weight

24,5 kg (dry weight of the pump without cable)

Special Feature

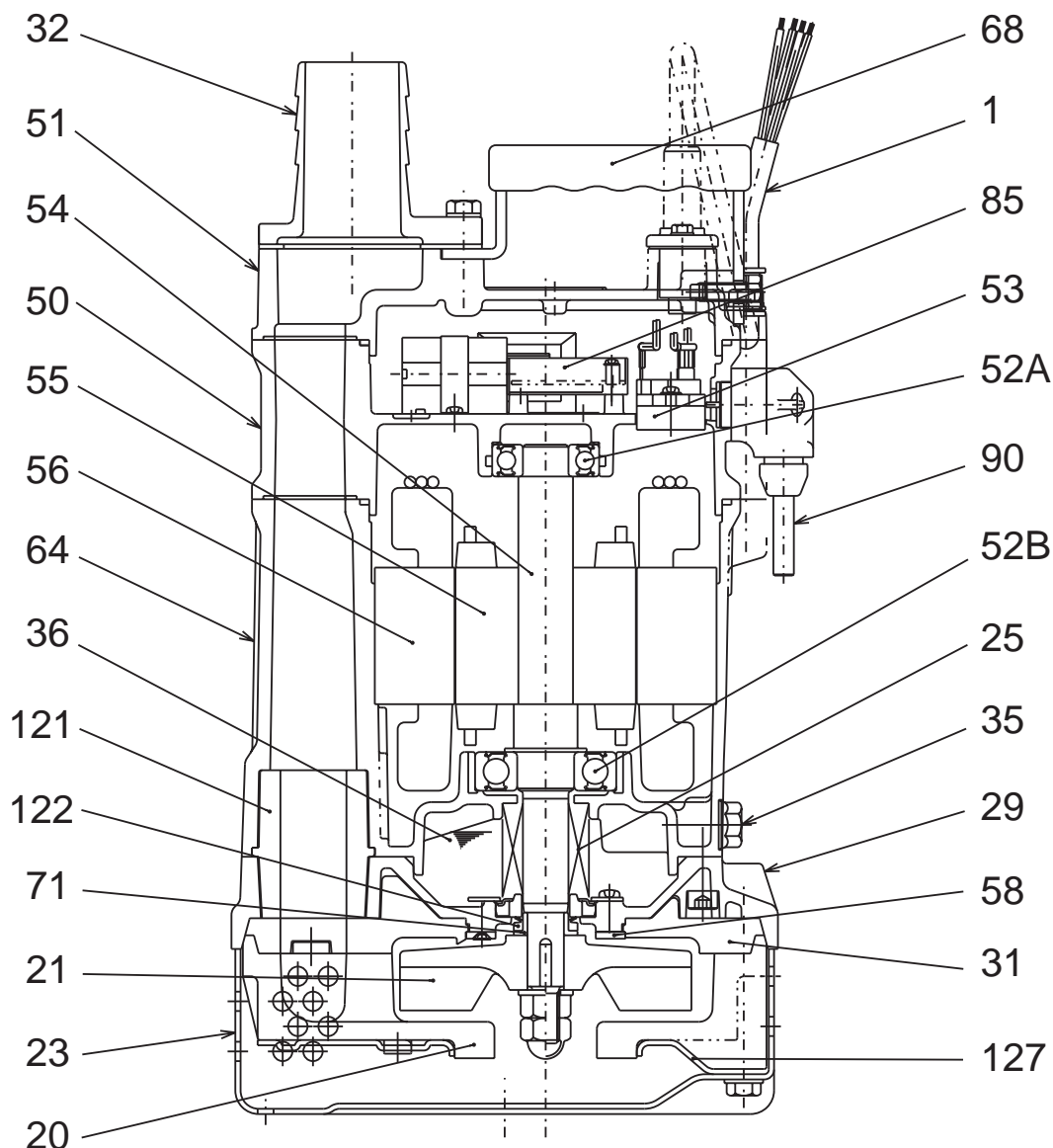
level control by water sensors (electrodes)

Dimensional Drawing KTVE22.2-51



KTVE22.2-51

Sectional Drawing KTVE22.2-51



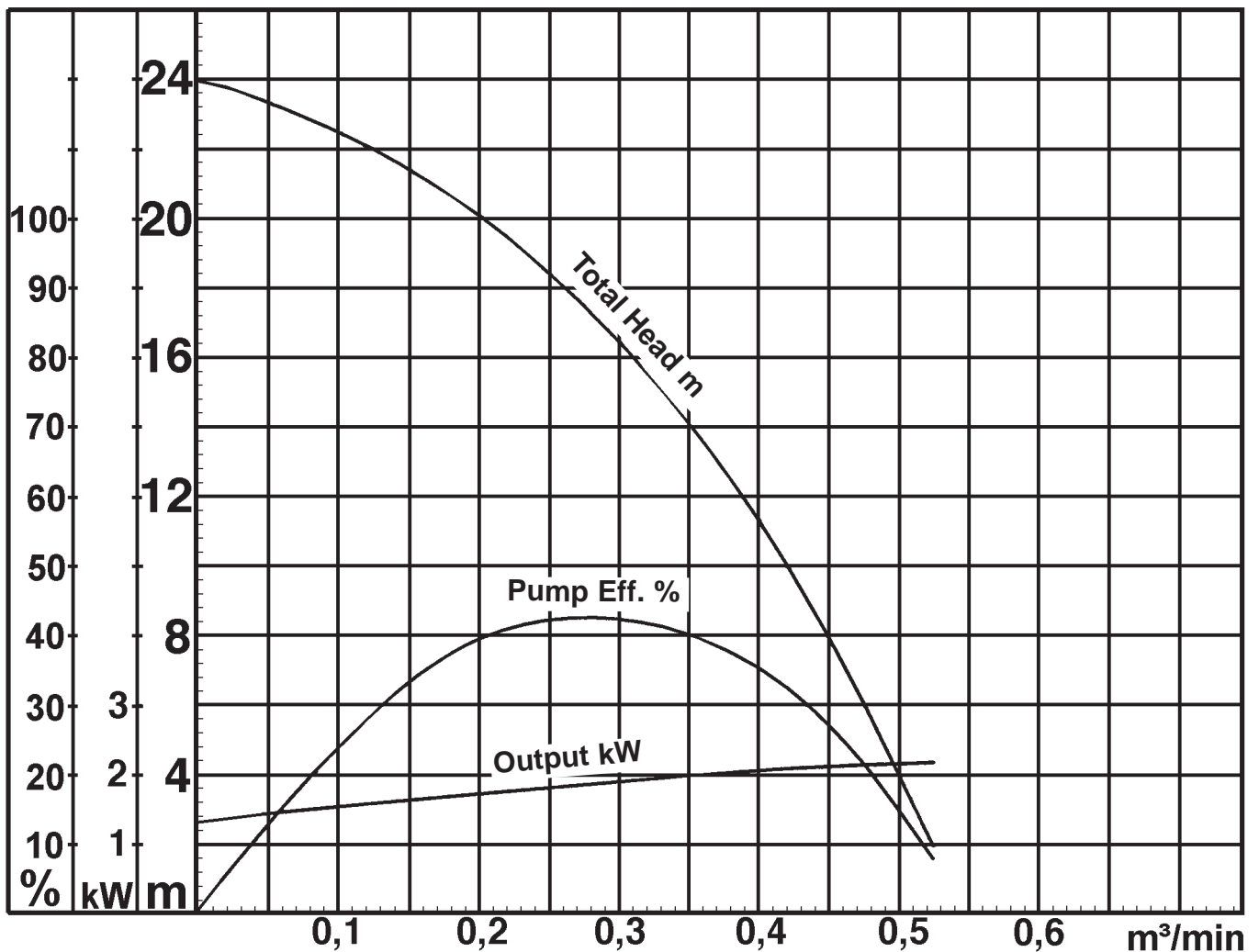
KTVE22.2-51

No.	Description	Qty.	Remarks	No.	Description	Qty.	Remarks
1	Cabtyre Cable	1	H07RN-F	53	Motor Protector	1	
20	Pump Casing	1	Butadiene/Nitrile Rubber	54	Shaft	1	SUS403 (EN-X6Cr13)
21	Impeller	1	FCD700 (EN-GJS-700-2)	55	Rotor	1	
23	Strainer	1	Steel Plate SPCC	56	Stator	1	
25	Mechanical Seal	1	H-20	58	Protection Plate	1	SUS304 (EN-X5CrNi18-10)
29	Oil Casing	1	Aluminium Die Casting	64	Motor Frame	1	Aluminium Alloy Casting ADC12
31	Wearing Plate	1	Butadiene/Nitrile Rubber	68	Handle	1	Steel Plate SPC/Rubber NBR
32	Hose Coupling	1	Aluminium Die Casting	71	Shaft Sleeve	1	SUS304 (EN-X5CrNi18-10)
35	Oil Plug	1	SUS304 (EN-X5CrNi18-10)	85	Relay Unit	1	
36	Lubricant		Turbine Oil (ISO VG32)	90	Electrode	1	
50	Motor Bracket	1	Aluminium Die Casting	121	Duct Sleeve	1	Styrene Butadiene Rubber
51	Head Cover	1	Aluminium Die Casting	122	V-Seal	1	Nitrile Butadien Rubber
52A	Upper Bearing	1	6204ZZC3	127	Fixing Plate	1	Steel Plate SPCC
52B	Lower Bearing	1	6305ZZC3				

Pump Performance Curve

KTVE22.2-51

Discharge Bore	50 mm
Total Head	20,0 m
Capacity	0,20 m ³ /min
Motor Output	2,20 kW
Motor Input	2,67 kW
Phase	3
Voltage	400 V
Frequency	50 Hz
Rated Current	4,3 A
Starting Current	30 A
Poles	2
Revolution	S.S. 2870 r.p.m.
Starting Method	direct on line
Insulation Class	E



KTVE22.2-51 (A-05394-1)