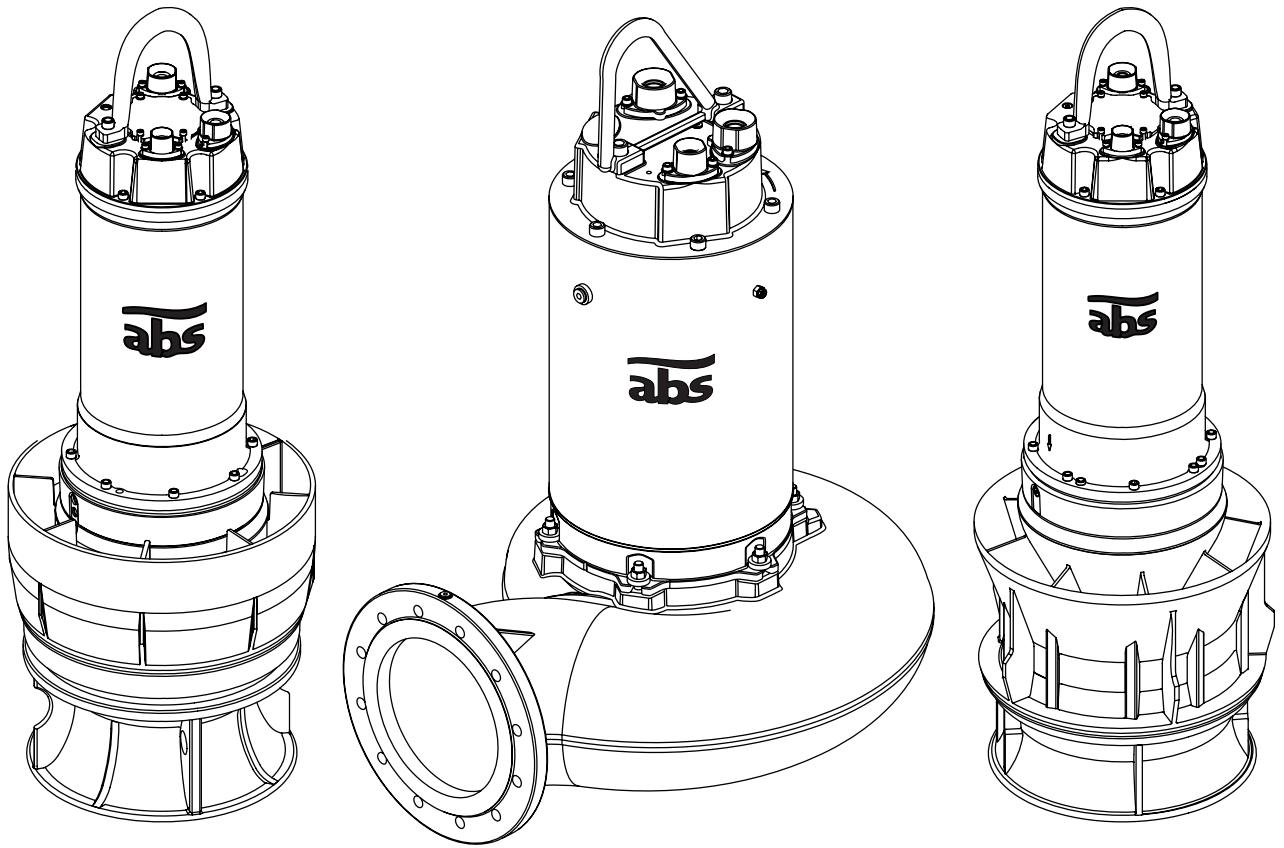

ABS submersible sewage pumps AFP-ME4 to ME6 and AFP-ME SX
ABS submersible mixed flow column pumps AFL-ME4 to ME6
ABS submersible propeller pumps VUP-ME4 to ME6

0562-0001



Installation and Operating Instructions

For submersible pumps

AFP-Hydraulics

AFP 1001	AFP 1501	AFP 2001	AFP 2501	AFP 3001	AFP 3501	AFP 4001	AFP 5001	AFP 6003
AFP 1002	AFP 1552	AFP 2002	AFP 2503	AFP 3002	AFP 3502	AFP 4004		
AFP 1036	AFP 1575	AFP 2073	AFP 2571	AFP 3003				
AFP 1077	AFP 1576			AFP 3071				

AFP SX-Hydraulics

AFP 1001 SX	AFP 1501 SX	AFP 2001 SX	AFP 2501 SX	AFP 3001 SX	AFP 3501 SX	AFP 4001 SX
AFP 1002 SX	AFP 1575 SX	AFP 2002 SX	AFP 2503 SX	AFP 3002 SX	AFP 3502 SX	
AFP 1077 SX	AFP 1576 SX	AFP 2073 SX	AFP 2571 SX	AFP 3003 SX		
				AFP 3071 SX		

AFL-Hydraulics

AFL 0701	AFL 0801	AFL 0802	AFL 1202	AFL 1203	AFL 1207
----------	----------	----------	----------	----------	----------

VUP-Hydraulics

VUP 0401	VUP 0501	VUP 0601	VUP 0801	VUP 1001	VUP 1201
VUP 0402	VUP 0502	VUP 0602	VUP 0802	VUP 1002	VUP 1202
VUP 0403	VUP 0503				

Table of contents

1	General	6
1.1	Introduction	6
1.2	Correct usage of the products.....	6
1.3	Application restrictions of the submersible pumps	6
1.4	Application areas for the submersible pumps	7
1.4.1	Application areas for the series AFP	7
1.4.2	Application areas for the series AFL.....	7
1.4.3	Application areas for the series VUP	8
1.5	Identification coding	8
1.6	Technical data	9
1.7	Dimensions and weights	9
1.8	Nameplate.....	9
2	Safety	10
3	Transport and storage	10
3.1	Transport.....	10
3.1.1	Standing transport.....	11
3.1.2	Transport in a horizontal manner	11
3.2	Transport securing devices	12
3.2.1	Motor connection cable moisture protection	12
3.2.2	Transport securing device for AFP submersible pump shafts	12
3.2.3	Transport securing device for submersible pump shafts AFL/VUP	14
3.3	Storage of the units	15
4	Product description	16
4.1	Structural design	16
4.2	Motor monitoring system.....	17
4.2.1	Temperature monitoring of the stator	17
4.2.2	DI-Electrode	17
4.2.3	Temperature monitoring of the bearings (Option ME4/ME5).....	18
4.2.4	Temperature indication	19
4.3	Operation with frequency inverters	20
5	Installation	21
5.1	Installation of the AFP submersible pumps	21
5.1.1	Installation options for the AFP submersible pumps	21
5.2	Installation examples.....	21
5.2.1	Wet installation of the AFP submersible pump.....	24
5.2.2	Installation of the AFP submersible pump in a dry sump	25
5.3	Fitting the pedestal.....	25
5.3.1	Pedestal for DN 100 to 200 (light version), inserting the seal	25

5.3.2	HD- pedestal fitting of O-ring and guide piece	26
5.4	Installation of the AFL and VUP submersible pumps	27
5.4.1	Types of installation of the AFL and VUP submersible pumps	27
5.4.2	Installations examples with AFL and VUP submersible pumps.....	28
5.4.3	Installation of the AFL and VUP submersible pumps	29
5.4.4	Lowering of the AFL and VUP submersible pump into the coupling ring	29
5.5	Electrical connection	30
5.5.1	Standard connection diagrams, mains voltage 380 - 420 V at 50 Hz/460 V at 60 Hz	30
5.5.2	Lead designations	31
5.5.3	Checking direction of rotation.....	32
5.5.4	Changing direction of rotation	32
5.5.5	Connection of the control circuit leads	33
5.5.6	Connection of the seal monitoring unit to the control panel	33
6	Commissioning	35
6.1	Starting frequency of the motors	35
7	Maintenance	36
7.1	General maintenance hints	36
7.2	Maintenance hints if the submersible pump is out of use for a considerable period	36
7.2.1	Before installation.....	36
7.2.2	After installation.....	36
7.3	Coolant filling (Lubrication oil filling only VUP/AFL-ME6).....	37
7.4	Removal of the submersible pump	39
7.4.1	Removal of the AFP submersible pump from a wet sump	39
7.4.2	Removal of the AFP submersible pump when dry installed	39
7.4.3	Removal of the AFL and VUP submersible pump	39
8	Assembling the gearbox AFL/VUP	40
8.1	Assembling the motor and the gearbox/hydraulic unit	40
8.2	Remove transport securing device	41
8.3	Remove transport securing device of the gearbox.....	42
8.4	Assembly instructions for gearbox/motor housing	43



1 General

1.1 Introduction

These **Installation and Operating Instructions** and the separate booklet **Safety Hints** contain basic instructions and safety hints which must be observed during transport, installation and commissioning. For this reason it is essential that they are read by the installing technician as well as by relevant skilled operators or users. They should also be always available where the unit is installed.



Safety Instructions which might cause danger to life in case of non-observance have been specifically highlighted with the general danger symbol.



The presence of a dangerous voltage is identified with this safety symbol.



This symbol indicates the danger of an explosion occurring.

ATTENTION *Appears at safety hints, the non-observance of which could damage the unit or affect its functioning.*

NOTE *Used for important pieces of information.*

Illustrations code; e.g. (3/2). The first digit refers to the figure no. and the second digit to the position in that figure.

1.2 Correct usage of the products

The ABS products have been designed and built in accordance with the latest technology and taking into account the relevant safety regulations. However improper usage could cause a danger to life or limb of the user of a third party or cause damage or function impairment to the unit itself and other items of value.

The ABS units should only be used if they are in perfect technical condition taking into account all safety requirements and conscious of the need to avoid potentially dangers. The contents **of the installation and operating instructions** and the safety hints must be applied! Any other usage (abnormal usage) or usage beyond that specified will be considered as non-compliance.

The manufacturer/supplier will not accept any responsibility for damage due to this. The risk is borne by the user. In case of doubt the entire scope of the planned application must be approved by **ABS**.

In the case of any faults arising, the ABS units should immediately be taken out of use and secured. The fault should be immediately rectified or, if necessary, contact your ABS service centre.

1.3 Application restrictions of the submersible pumps

The submersible pumps can be supplied both as standard versions and in explosion-proof execution with (ATEX II 2Gk EEx dII B T4) for 50 Hz or FM (NEC 500, Class I, Division 1, Group C&D, T3C) approval for 60 Hz

Limitations: Fluid temperature maximum 40 °C (104 °F)
 Immersion depth maximum 20 m (65 ft)

ATTENTION *If cable length is less than 20 m/65 ft the max. immersion depth reduces accordingly. In special cases an immersion depth greater than 20 m/65 ft is possible. In order to do this you need the written approval from the manufacturer ABS.*



Pumping of flammable or explosive liquids with these pumps is not allowed!



Only explosion-proof executions may be used in hazardous areas!

For the operation of units as explosion-proof execution the following applies:

In hazardous areas care must be taken that during switching on and operation of the pumps the pump section is filled with water (dry installation) or alternatively is submerged or under water (wet installation with cooling jacket. Other types of operation e.g. snore operation or dry running are not allowed!

ATTENTION *The ex versions of the ME series are not fitted with a seal monitor (DI) in the monitoring chamber or in the oil chamber. There is an option of an external seal monitor for the ex versions*

For the operation of explosion-proof submersible pumps in wet-well installation without cooling jacket applies:

It must be ensured that the motor of the ex-submersible pump is always fully submerged during start-up and operation!

For the operation of explosion-proof submersible pumps applies:

The temperature monitoring of the explosion-proof submersible pumps has to be carried out by **bimetallic temperature limiters** or thermistors according to DIN 44 081-150 connected to a suitable release device which is certified in accordance with EC directive 94/9/EC.

For the operation of explosion-proof submersible pumps with frequency inverter applies:

Motors must have direct thermal protection devices fitted. These consist of temperature sensors (PTC DIN 44081 -150) embedded in the windings. These must be connected to a suitable release device which is certified in accordance with EC directive 94/9/EC.

Machines designated as Ex machines may never, without exception, be operated using a mains frequency that is greater than the maximum of 50 or 60 Hz as indicated on the nameplate.

1.4 Application areas for the submersible pumps

1.4.1 Application areas for the series AFP

The ABS submersible sewage pumps of the **AFP series** have been designed for the economical and reliable pumping of commercial, industrial and municipal sewage and can be installed dry or wet.

They are suitable for pumping of the following liquids:

- Clear and wastewater, for sewage containing solids and fibrous material
- Faecal matter
- Sludge
- Fresh and process water pumping
- Raw water for drinking water supply
- Surface and rain water
- Sewage

In combination with the ABS automatic coupling system, the below ground level wet installation is a particularly economical and environmentally friendly solution. The pumps are also suitable for horizontal or vertical dry installation.

1.4.2 Application areas for the series AFL

The ABS mixed flow column pump of the **AFL series** have been developed for environmental protection, water supply, municipal sewage treatment and dewatering of polders.

They are suitable for the following liquids:

- Raw water with solid or fibrous material.
- Sewage
- Surface water, rain water, drainage water
- Sludge

The AFL pumps are installed in a **concrete sump** or in a **steel pressure pipe** using a suitable coupling ring

1.4.3 Application areas for the series VUP

ABS submersible propeller pumps of the **VUP series** are designed for those applications where large water volumes must be pumped at low heads (up to 10 m/33 ft).

They are suitable for the following liquids

- Fresh and process water pumping
- Raw water for drinking water supply
- Surface and rain water

The VUP pumps are installed in a **concrete sump** or in a **steel pressure pipe** using a suitable coupling ring.

ATTENTION *The cooling liquid filled in at the factory in the ME series (with the exception of the oil filled VUP and AFL using ME6 motors) consists of 2/3 water and 1/3 glycol. This mixture is frost proof down to temperatures of -20 °C/-4 °F*

1.5 Identification coding

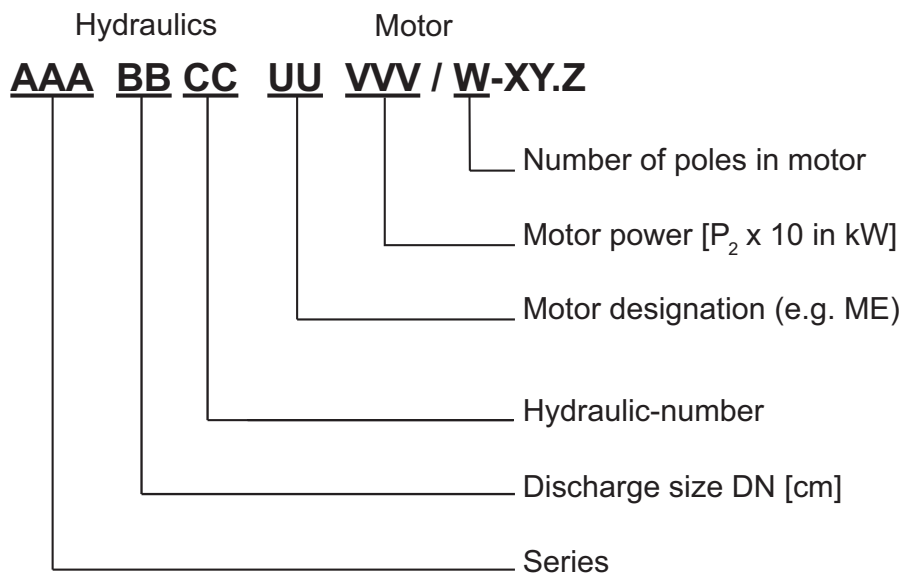


Figure 1 Identification coding

- X:** Part of the manufacturing code for the motor size **X** gives the motor size
- Y:** Part of the manufacturing code for the motor size **Y** indicates the stator length. Selection here is between a motor frame size and number of poles 1 to n.
- Z:** Information on the motor (50 Hz) or FM (60 Hz) for explosion proof versions.

NOTE *The SX versions have an identical design to the AFP-ME units. They only differ in the materials used and are also only available in a cooling jacket version. The designation SX will be added between hydraulics and motor (e.g. AFP 1001 SX ME 370/4-43).*

1.6 Technical data

The electrical data is dependent on the operating point for which the unit was designed. Please take the technical data from the name plate or from the ABSEL data files.

The maximum noise level of the units of this series is ≤ 70 dB(A). In some types of installation and at certain operating points on the performance curve it is possible that the noise level of 70 dB(A) or the measured noise level will be exceeded.

1.7 Dimensions and weights

The dimensions of the unit can be found on the relevant dimensional sheet. The hydraulic curves and impeller type can be found on the ABSEL hydraulics curve sheet. Please take the technical data and the weight of the units from the nameplate.

1.8 Nameplate

We recommend that you record the data from the original nameplate *Figure 2* so that you can refer to the data at any time.

Figure 2 Nameplate 42240223

Legend

1	Address	16	Speed [1/min/rpm]
2	Logo approval	17	Nominal delivery head [m/mm/in/ft]
3	Model designation	18	Service factor (only applied to 60 Hz orders), e.g. 1.15)
4	Year of manufacture	19	Nema Code Letter (only at 60 Hz, e.g. H)
5	Item no.	20	Insulation class (e.g. F)
6	Customer order no.	21	Impeller ø / Propeller angle [mm/°]
7	Pump no.	22	Temperature class (only with FM, e.g. T3C)
8	Nominal voltage (and phase switching)	23	Max. ambient temperature [°C, °F]
9	Frequency	24	Max. immersion depth [m, ft]
10	Nominal discharge diameter	25	Sound level
11	Free reserve field	26	Ex-symbol (only with Ex-pumps)
12	Power (uptake) [kW]	27	Ex/FM designation
13	Power (delivery) [kW/hp]	28	Weight (without attached parts) [kg, lbs]
14	Nominal flow rate [l/s, m ³ /h, gpm]	29	Country of manufacture
15	Nominal current	30	Direction of rotation of motor shaft

NOTE *In all communication please state type of the unit, item and serial number!*

NOTE *Additional country specific nameplates possible.*

2 **Safety**

The general and specific health and safety hints are described in detail in the separate booklet **Safety Hints**. If anything is not clear or you have any questions as to safety make certain to contact the manufacturer ABS.

3 **Transport and storage**

3.1 **Transport**



The unit must never be raised by the power cable.

Depending on model and mode of installation, the units are prepared at the factory for vertical or horizontal transportation.

Depending on the version, the units are fitted with a lifting hoop (series for vertical installation), eyebolts (option) or attachment swivels (horizontal installation), to which a chain can be fastened by means of shackles to transportation, installation or removal.



Take note of the entire weight of the unit (*see nameplate Figure 2*) The hoist and chain must be adequately dimensioned for the weight of the unit and must comply with the current valid safety regulations.



The unit should be protected from rolling over!



The unit is prepared for transportation by placing it on an adequately strong, completely horizontal surface taking care that it cannot topple over.

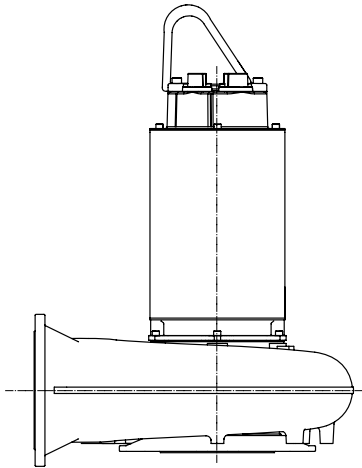


Do not stay or work in the swivel area of a suspended load!



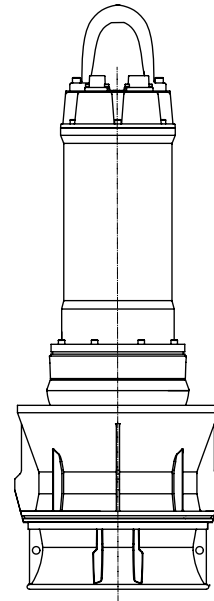
The lifting hook height must take into consideration the entire height of the unit as well as the length of the lifting chain!

3.1.1 Standing transport



0562-0004

Figure 3 Standing transport AFP



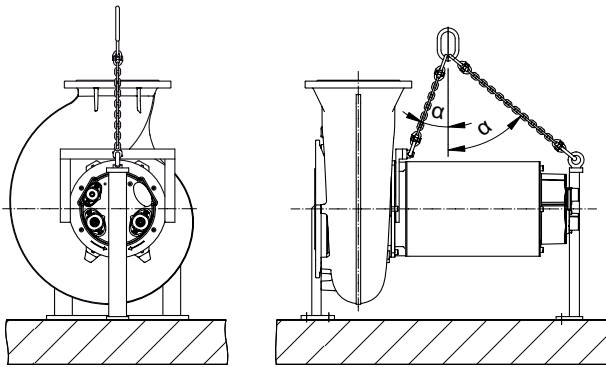
0562-0005

Figure 4 Standing transport AFL and VUP



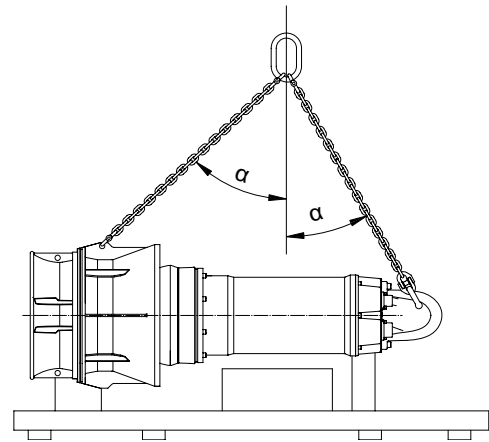
The safety hints in the section above must be observed!

3.1.2 Transport in a horizontal manner



0562-0006

Figure 5 Transport in a horizontal manner AFP



0562-0007

Figure 6 Transport in a horizontal manner AFL/VUP

ATTENTION α max. $\leq 45^\circ$. The angle α between the centre line of the unit and the lifting tools should not exceed 45°



The safety hints in the previous sections must be observed!

Submersible pumps are only transported in a horizontal position if they have been built for horizontal installation.

The submersible pump can be placed on the mounting frame fitted on the pump and transported.

ATTENTION *Avoid point loading. If necessary, place the pump on a secure robust pallet and tie down using steel bands or other fixing methods. Only lift up the submersible pump if it is suspended horizontally on the crane hooks. If necessary, adjust the chain accordingly.*

3.2 Transport securing devices

3.2.1 Motor connection cable moisture protection

The motor connection cables are protected against the ingress of moisture along the cable by having the ends sealed at the works with protective covers.

ATTENTION *These protective covers should only be removed immediately prior to connecting the pumps electrically.*

Particular attention is necessary during storage or installation of pumps in locations, which could fill with water prior to laying and connection of the power cable of the AFP- motor. Please note that the cable ends, even where fitted with protective sleeves, cannot be immersed in water.

ATTENTION *These protective covers only provide protection against water spray or similar and are not a water tight seal. The ends of the cables should not be immersed in water, otherwise moisture could enter the connection chamber of the motor.*

NOTE *If there is a possibility of water ingress then the cables should be secured so that the ends are above the maximum possible flood level.*

ATTENTION *Take care not to damage the cable or its insulation when doing this!*

3.2.2 Transport securing device for AFP submersible pump shafts

NOTE *Does not apply to all models.*

In order to avoid damage to the pump shaft or the bearings during horizontal transport, the shaft is clamped in an axial direction when leaving the works.

ATTENTION *The transport securing device on the pump shaft should only be removed immediately before installation or connecting up the pump.*

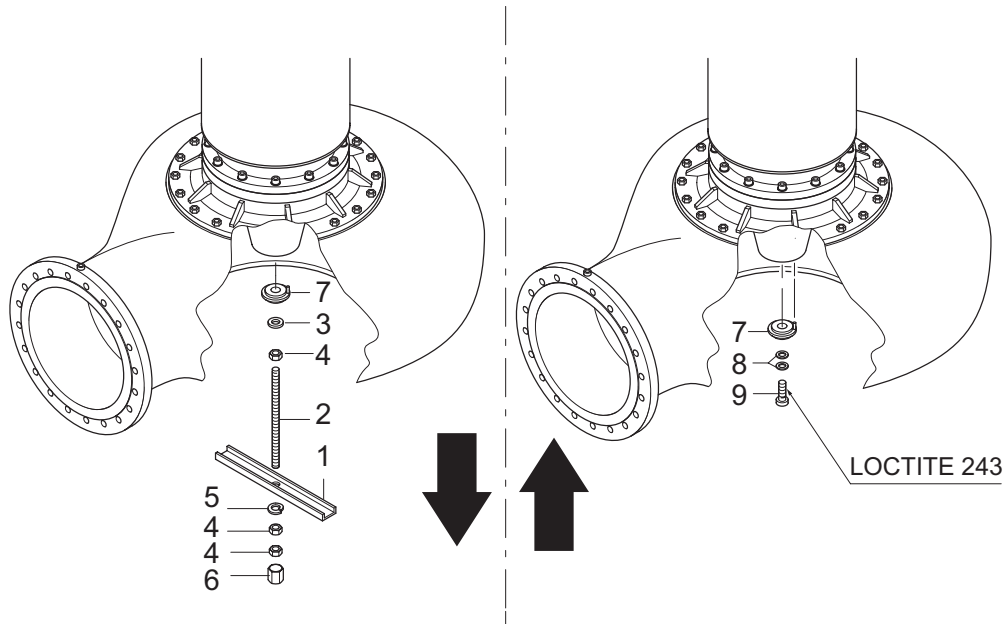


Figure 7 Removal of the transport securing devices AFP (**without** holes on the suction side)

- Before commissioning remove securing device (7/1-6). Fit impeller washer with securing pin (7/7) and impeller screw (7/9) complete with lock washers (7/8).

ATTENTION *Hold the impeller washer (7/7) in position when unscrewing the threaded rod (7/2). The impeller screws of the M4 motors are in addition secured with LOCTITE Type 243 (LOCTITE will be supplied if required).*

- Insert the impeller washer (7/7) so that the securing pin of the washer fits into the drilled hole of the shaft. Fasten the socket head screw (7/9) together with the lock washers (7/8).

ATTENTION *Ensure that the fitting position and tightening torque of the Nord-Lock® securing washers is correct as in Figure 8 and table for tightening torque!*

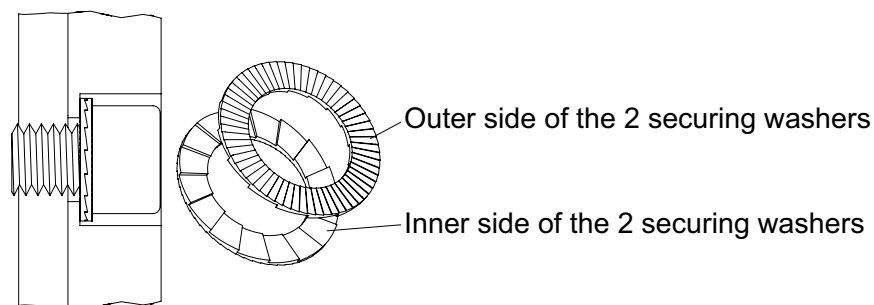


Figure 8 Correct fitting position of the Nord-Lock® securing washers

Tightening torque for ABS stainless steel screws A4-70:							
Thread	M6	M8	M10	M12	M16	M20	M24
Tightening torque	6.9 Nm	17 Nm	33 Nm	56 Nm	136 Nm	267 Nm	460 Nm

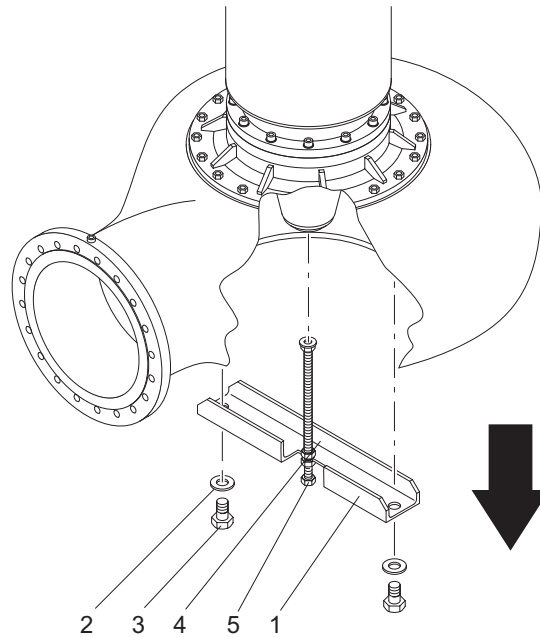


Figure 9 Removal of the transport securing devices AFP (with holes on suction side)

- Before commissioning, remove the transport securing devices (9/1).

ATTENTION After fitting of the impeller washer, check that the impeller can be turned by hand.

3.2.3 Transport securing device for submersible pump shafts AFL/VUP

NOTE Does not apply to all models!

In order to avoid damage to the pump shaft or bearings during horizontal transport, the shaft is clamped in an axial direction when leaving the works.



The safety hints in the previous sections must be observed!

ATTENTION The transport securing device on the motor shaft should only be removed immediately prior to installation or connecting up to the pump.

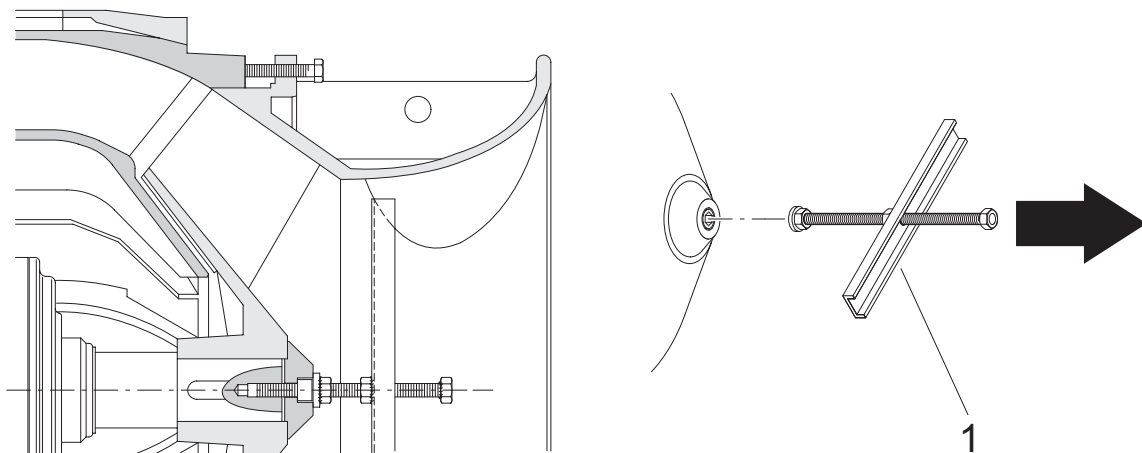


Figure 10 Removal of the transport devices on VUP and AFL pumps

- Remove the transport securing device (10/1)

3.3 Storage of the units

ATTENTION *The ABS products must be protected from weather influences such as UV from direct sunlight, high humidity, aggressive dust emissions, mechanical damage, frost etc. The ABS original packaging with the relevant transport securing devices (where used) ensures optimum protection of the unit. If the units are exposed to temperatures under 0 °C/32 °F check that there is no water in the hydraulics, cooling system, or other spaces. In the case of heavy frosts, the units and cable should not be moved if possible. When storing under extreme conditions, e.g. in tropical or desert conditions suitable additional protective steps should be taken. We would be glad to advise you further*

NOTE *ABS units do not generally require any particular maintenance during storage. After long storage periods (after approx. one year), the transportation locking device on the motor shaft (not with all versions) should be disassembled. By rotating the shaft several times by hand, new lubricating oil or, depending on the version, a small amount of coolant (which also serves to cool or lubricate the mechanical seals) is applied to the sealing surfaces, thus ensuring perfect operation of the mechanical seals. The bearings supporting the motor shaft are maintenance-free.*

In the case of extreme ambient temperatures below -20 °C/-4 °F (during transportation, storage or longer out of service periods), the coolant must be drained to prevent damage to the unit! In such cases, please contact your ABS dealer.

4 Product description

4.1 Structural design

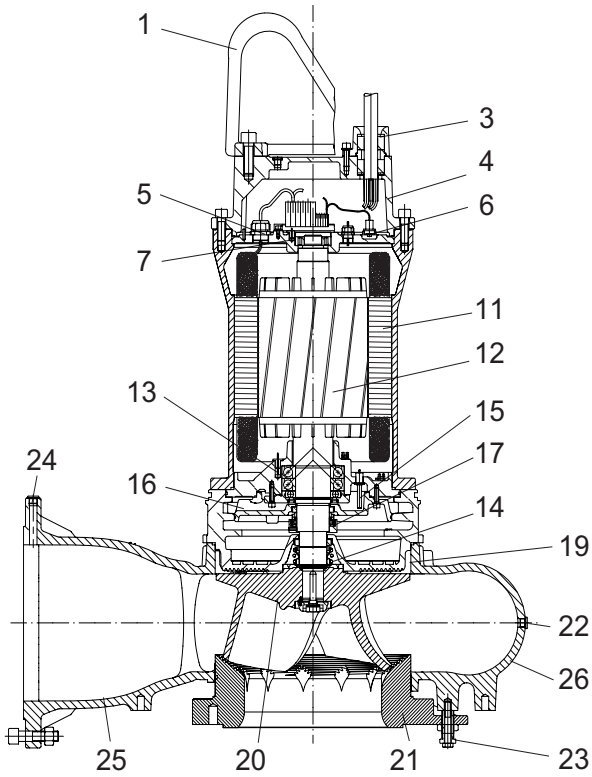


Figure 11 AFP-ME4

0562-0015

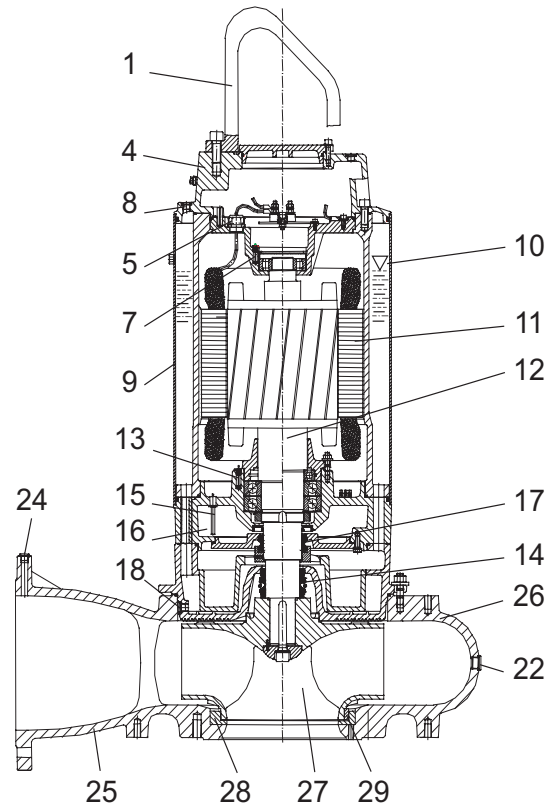


Figure 12 AFP-ME 5

0562-0013

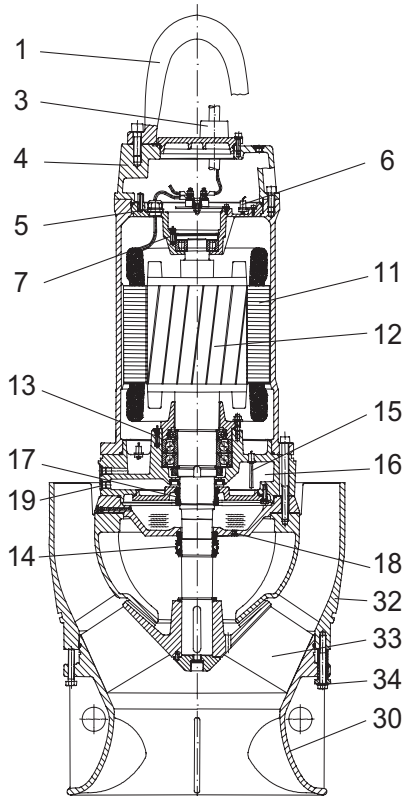


Figure 13 AFL-ME5

0562-0016

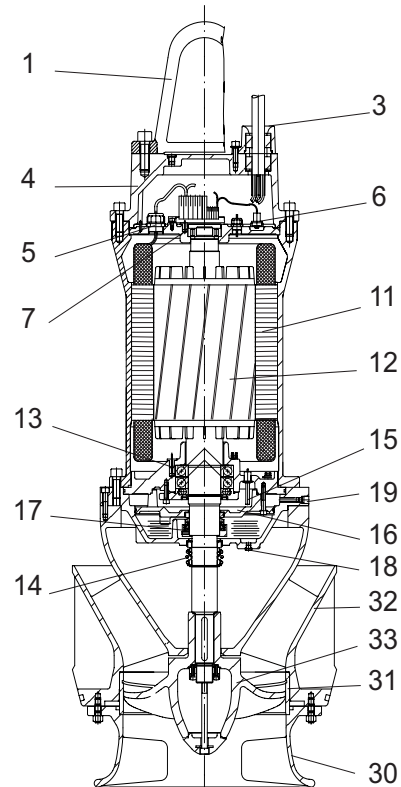


Figure 14 VUP-ME4

0562-0014

Legend

1 Lifting hoop (Standard)	18 Release screw for cooling medium
2 Eyebolts (Option)	19 Plug screw separation chamber
3 Cable inlet	20 Contrablock (CB) - impeller
4 Connection chamber	21 Contrablock (CB) - bottom plate
5 Cable gland	22 Release screw (horizontal dry- installation)
6 Seal monitoring (DI) connection chamber (option)	23 Adjusting screw for bottom plate
7 Temperature monitoring upper bearing (option)	24 Connection for pressure monitoring/venting
8 Filling - and venting screw	25 Discharge outlet
9 Cooling jacket	26 Volute
10 Cooling liquid	27 Impeller (closed multi channel version)
11 Stator	28 Wear ring in the volute
12 Rotor shaft	29 Wear ring on the impeller (option)
13 Temperature monitoring lower bearing (Option)	30 Bellmouth
14 Mechanical seal (medium side)	31 Wear ring (not for all versions)
15 Seal monitoring (DI) separation chamber	32 Guide ring
16 Separation chamber	33 Propeller VUP, impeller AFL
17 Mechanical seal (motor side)	34 Adjusting screw for gap between impeller and wall (AFL)

4.2 Motor monitoring system

Motor equipment:

Motors		ME4/ME5/ME6		
		standard	Ex	FM
Stator	Bimetallic	●	●	●
	Thermistors (PTC)	○	○	○
	PT 100	○	-	-
Seal monitor	Separation chamber	●	○	●
	Motor chamber	○ (● only ME6)	●	○ (● only ME6)
	Connection chamber	○ (● only ME6)	○ (● only ME6)	○ (● only ME6)
Bearing temperature Upper /lower	Bimetallic	○ (● only ME6)	○ (● only ME6)	○ (● only ME6)
	Thermistors (PTC)	○	○	○
	PT 100	○	○	○

● = Standard ○ = Option - = not possible

4.2.1 Temperature monitoring of the stator

Thermal limiters protect the stator from overheating in the case of asymmetric phase loading or voltage, continuous dry running or excessive temperatures in the medium itself.

The stator is equipped with three bimetallic thermal limiters which are connected in series.

Additionally it is possible to fit temperature dependent resistors (PT 100 (not for Ex)) with linear characteristics.

4.2.2 DI-Electrode

The DI-electrodes carry out the seal monitoring function and signal the ingress of moisture into the motor by means of a special electronic device.

See also section 5.5.6

ATTENTION *Thermistors or PT 100 devices must never be directly connected into the control or power system. They must always be connected to a suitable evaluation device. Switch off temperature of the thermal sensors fitted to standard motors of Insulation Class F = 140° C/284° F. The temperature limiting switches may only be operated as specified by the manufacturer (See table below).*

Operating voltage ...AC/...DC	...500 V ~/...101 V=
Rated voltage AC	250 V
Rated current AC $\cos \varphi = 1,0$	2.5 A
Rated current AC $\cos \varphi = 0,6$	1.6 A
max. switching current at I_N	5.0 A

ATTENTION *The maximum switching ability of the thermal sensors is 5 A, the rated voltage 250 V. Explosion-proof motors which are connected to static frequency inverters must be fitted with thermistors. Activation must be by means of a thermistor protective relay device with PTB-Approval number.*

4.2.3 Temperature monitoring of the bearings (Option ME4/ME5)

If bearing temperature monitoring is supplied, the standard versions of the pump possess a bimetallic thermal limiter which opens at a pre-set temperature and is fitted into the bearing block. This allows switching off of the motor to take place in plenty of time, e.g. where excessive bearing temperature due to wear occurs.

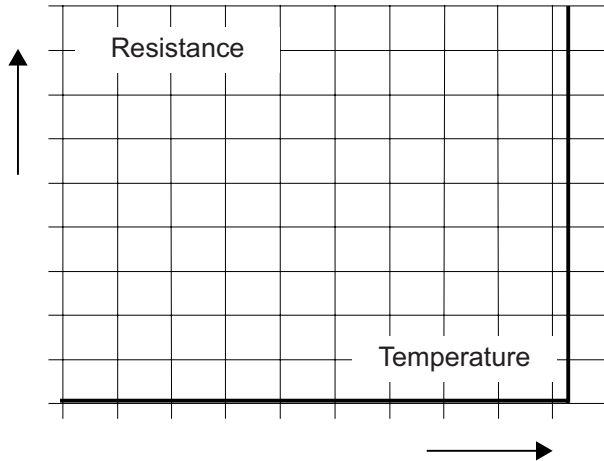
Switching temperature of motors of insulation class F :

- Upper bearing = 140 °C/284 °F
- lower bearing = 120 °C/248 °F

As an alternative temperature dependent resistors (thermistors,/PTC) with non-linear characteristics or PT 100 elements with linear characteristics can be fitted.

4.2.4 Temperature indication

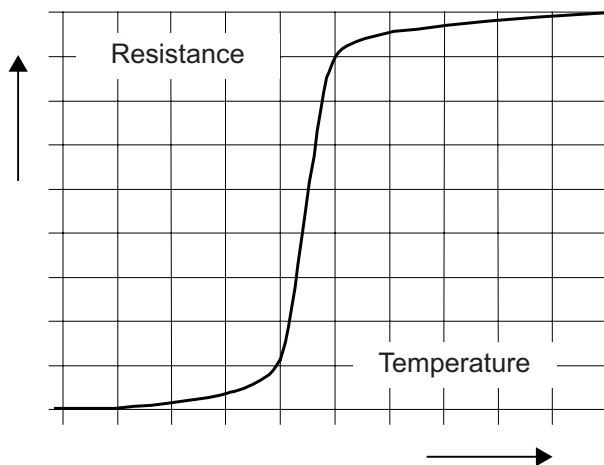
A continuous indication of the temperature in the stator and the bearings is not possible using bimetallic thermal limiters or thermistors. For this application it is necessary to fit thermal sensors of the type PT 100 with linear characteristics into the stator and bearing blocks. This type of resistor has a linear characteristic, i.e. the resistance rise is proportional to the temperature rise.



0562-0017

Application	Option
Function	Temperature switch using the bimetallic principle, which opens at a rated temperature
Switching	Taking care not to exceed the allowable switching current, these can be fitted directly into the control circuit

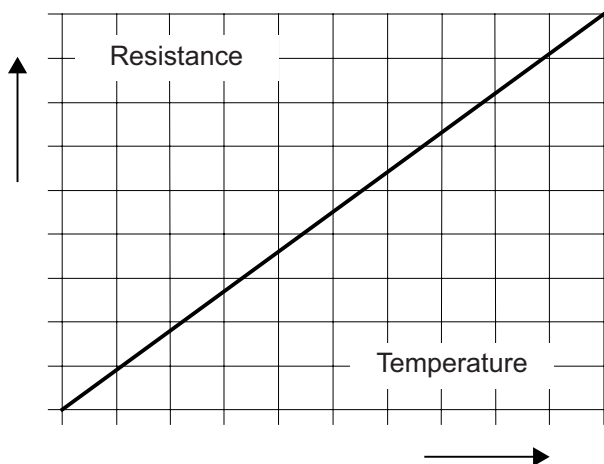
Figure 15 Curve showing principle of operation of bimetallic temperature limiter



0562-0018

Application	Option
Function	Temperature dependent resistance (no switch) curve with stepwise behaviour
Switching	Cannot be installed direct into the control circuit. Evaluation of the signal must be carried out by suitable electronic equipment

Figure 16 Curve showing principle of operation of thermistor



0562-0019

Application	Option (not for Ex)
Function	Function temperature dependent resistance (no switch). The linear curve allows continuous measurement and indication of the temperature
Switching	Cannot be installed direct into the control circuit. Evaluation of the signal must be carried out by suitable electronic equipment

Figure 17 Curve showing principle of operation of PT 100

4.3 Operation with frequency inverters

The stator design and the insulation grade of the motors from ABS means that they suitable for usage with frequency inverters. It is however essential that the following conditions are met when the motors are used with frequency inverters:

- The guidelines for EMC (electromagnetic compatibility) are complied with.
- Explosion-proof motors must be equipped with thermistors (PTC temperature sensors).
- Machines designated as Ex machines may never, without exception, be operated using a mains frequency that is greater than the maximum of 50 or 60 Hz as indicated on the type plate.
- Machines that are not designated as Ex machines may only be operated using the mains frequency indicated on the type plate. Greater frequencies can be used but only after consulting with and receiving permission from the ABS manufacturing plant.
- For operation of ex-motors on frequency inverters special requirements in relation to the tripping times of the thermo control elements, must be observed.
- The lowest frequency must be set so that the minimum fluid velocity of 1 m/s is present in the volute.
- The maximum frequency must be set so the rated power of the motor is not exceeded.

Modern frequency inverters are using higher wave frequencies and a steeper rise on the flanks of the voltage wave. This means that motors losses and motor noise is reduced. Unfortunately these inverter output signals cause higher voltage spikes in the stator. Experience has shown that, depending on rated voltage and the length of the cable between the inverter and the motor, these voltage spikes can adversely affect the life of the motor. In order to avoid this, inverters of this type must equipped with sinus filters when used in the critical zone (see fig 18). The sinus filter chosen must be suitable for the inverter with regard to rated voltage, inverter wave frequency, rated current of the inverter and maximum inverter output frequency.

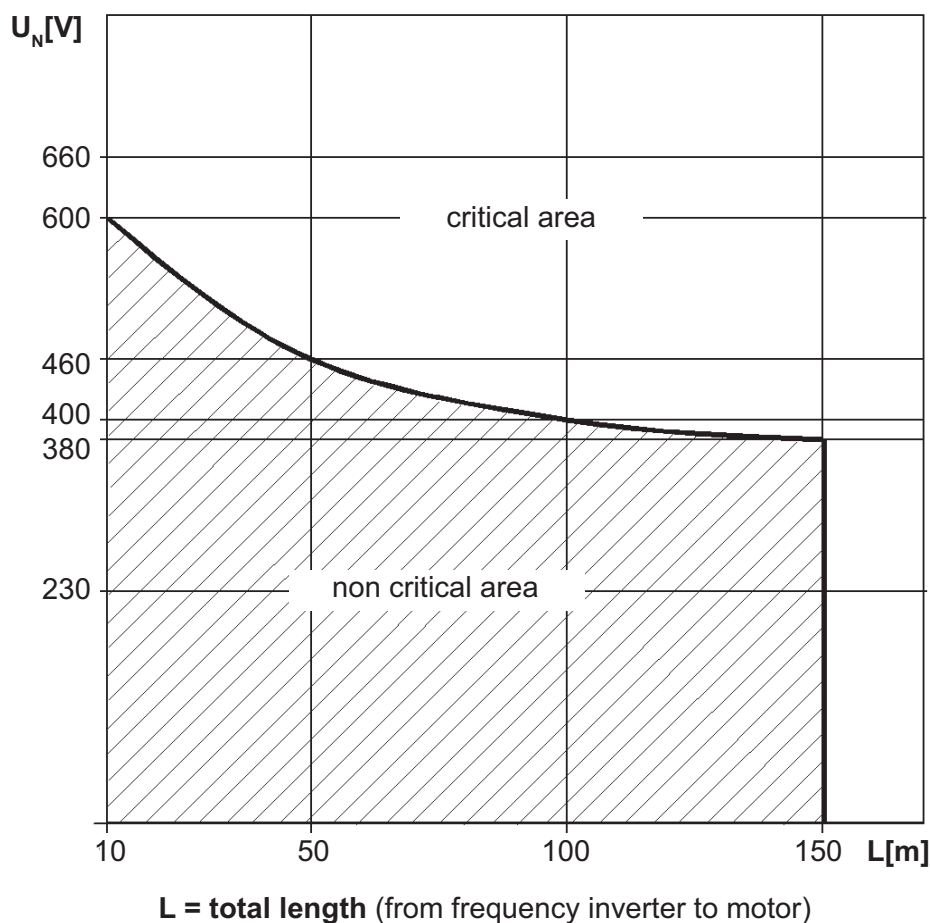


Figure 18 Critical / non critical area

5 Installation



The safety hints in the previous sections must be observed!

5.1 Installation of the AFP submersible pumps

5.1.1 Installation options for the AFP submersible pumps

There are three main installation options for the submersible pumps.

1. Wet installation vertical with ABS automatic coupling system
2. Dry installation with ground support ring (with closed cooling system)
3. Dry installation horizontal (with closed cooling system)

NOTE *The dimensional sheets and foundation plans for each type of installation are supplied either with the planning documents or your order confirmation.*

5.2 Installation examples

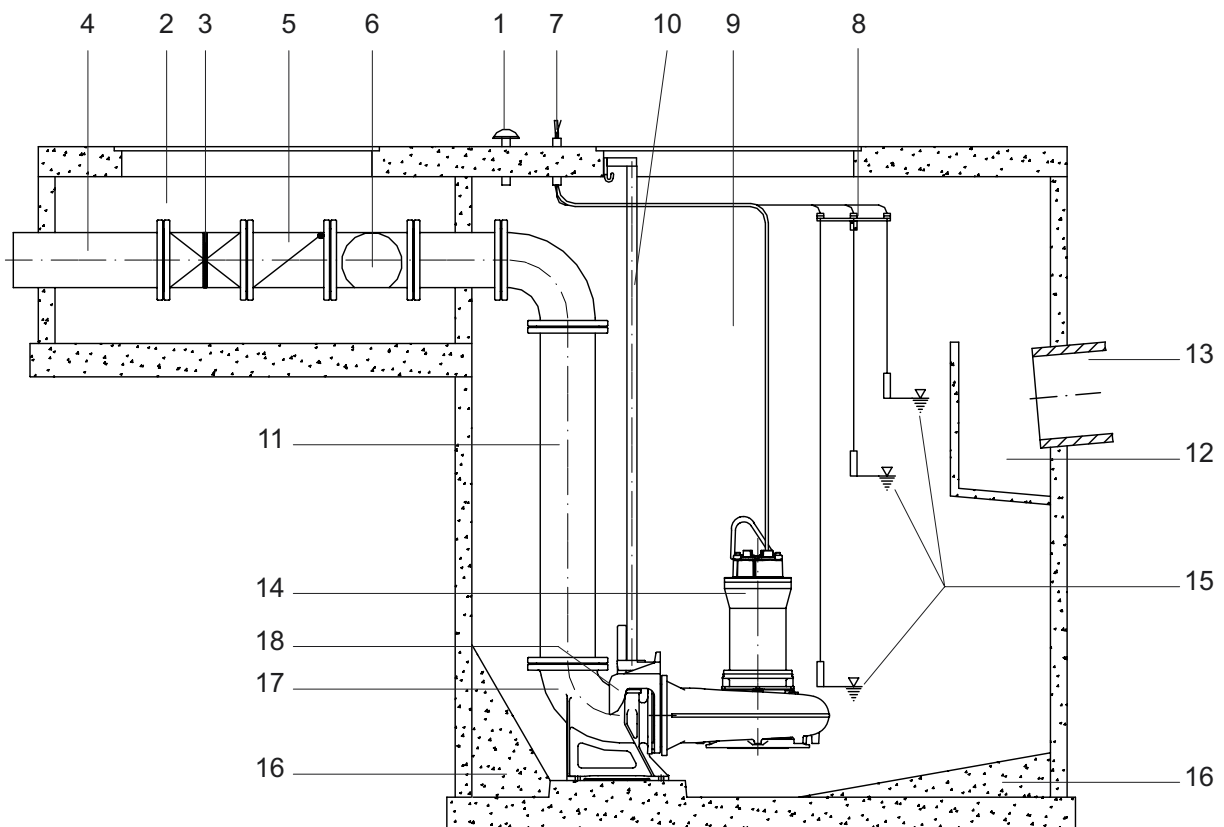


Figure 19 Wet installation vertical with ABS automatic coupling system

Legend

- | | |
|------------------------------|------------------------------------|
| 1 Venting | 10 Guide tube |
| 2 Valve chamber | 11 Discharge line |
| 3 Shut-off valve | 12 Inflow chamber with impact wall |
| 4 Outflow line | 13 Inflow line |
| 5 Non-return valve | 14 ABS submersible sewage pump |
| 6 Fitting for valve removal | 15 Automatic level control |
| 7 Cable duct | 16 Concrete benching |
| 8 Bracket for float switches | 17 Pedestal |
| 9 Collection sump | 18 Bracket |

NOTE

The pedestal and guide tube for the submersible pump must be fitted on site before installation of the pump. On request, we can send you detailed installation and foundation drawings. The specified concrete quality, min. B25 must be used.

0562-0021

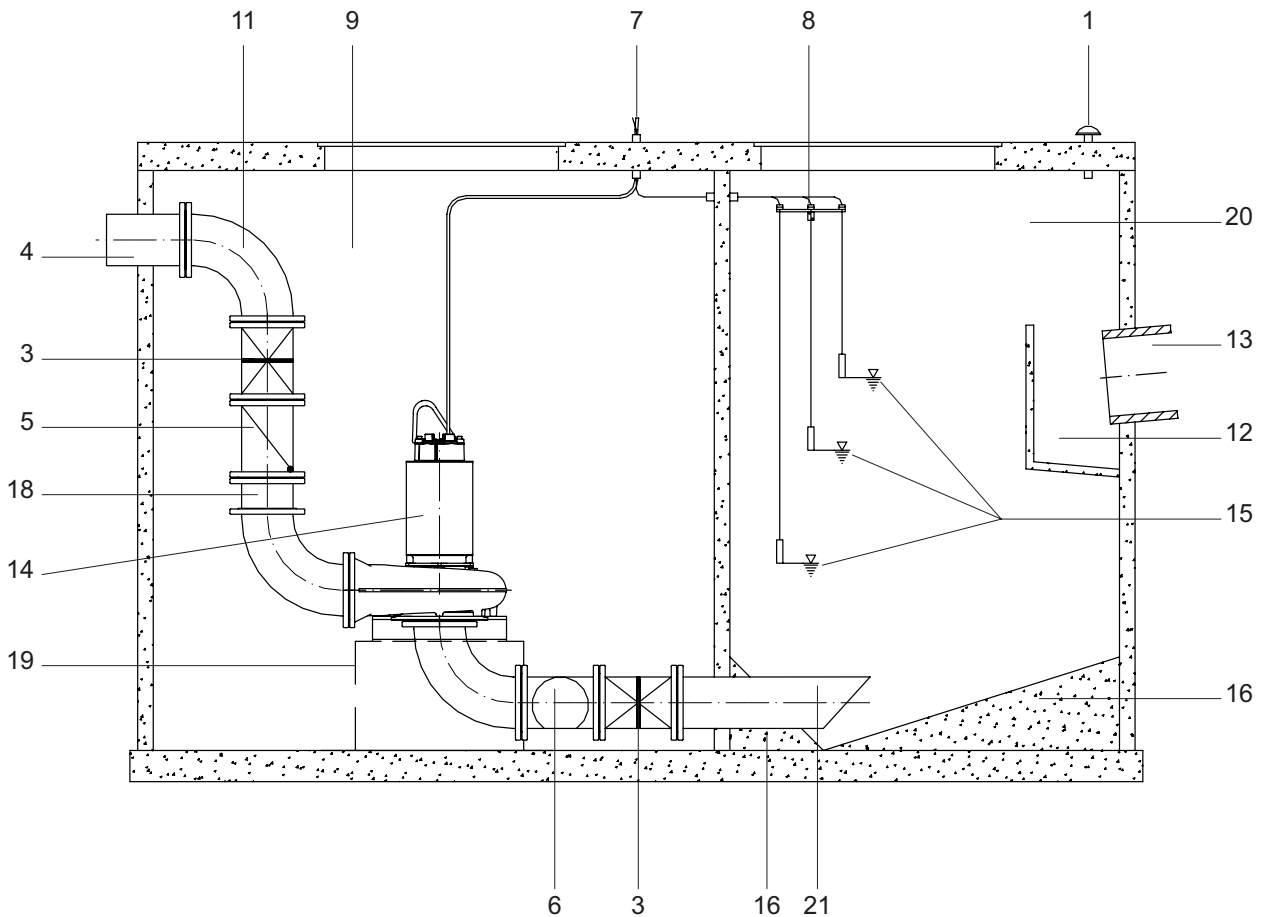


Figure 20 Installation in a dry sump with ground support ring (with closed cooling system)

Legend

1	Venting	12	Inflow chamber with impact wall
3	Valve chamber	13	Inflow line
4	Outflow line	14	ABS submersible pump
5	Non-return valve	15	Automatic level control
6	Fitting for removal valves	16	Concrete benching (after installation of suction pipe)
7	Cable duct	18	Flexible pipe connector
8	Holder for float switches	19	Ground support ring
9	Pump sump	20	Collection sump
11	Discharge line	21	Suction line

NOTE

Any support frame needed for the submersible pump should be erected on site before the pump itself is installed. The specified concrete quality, min. B25 must be used.

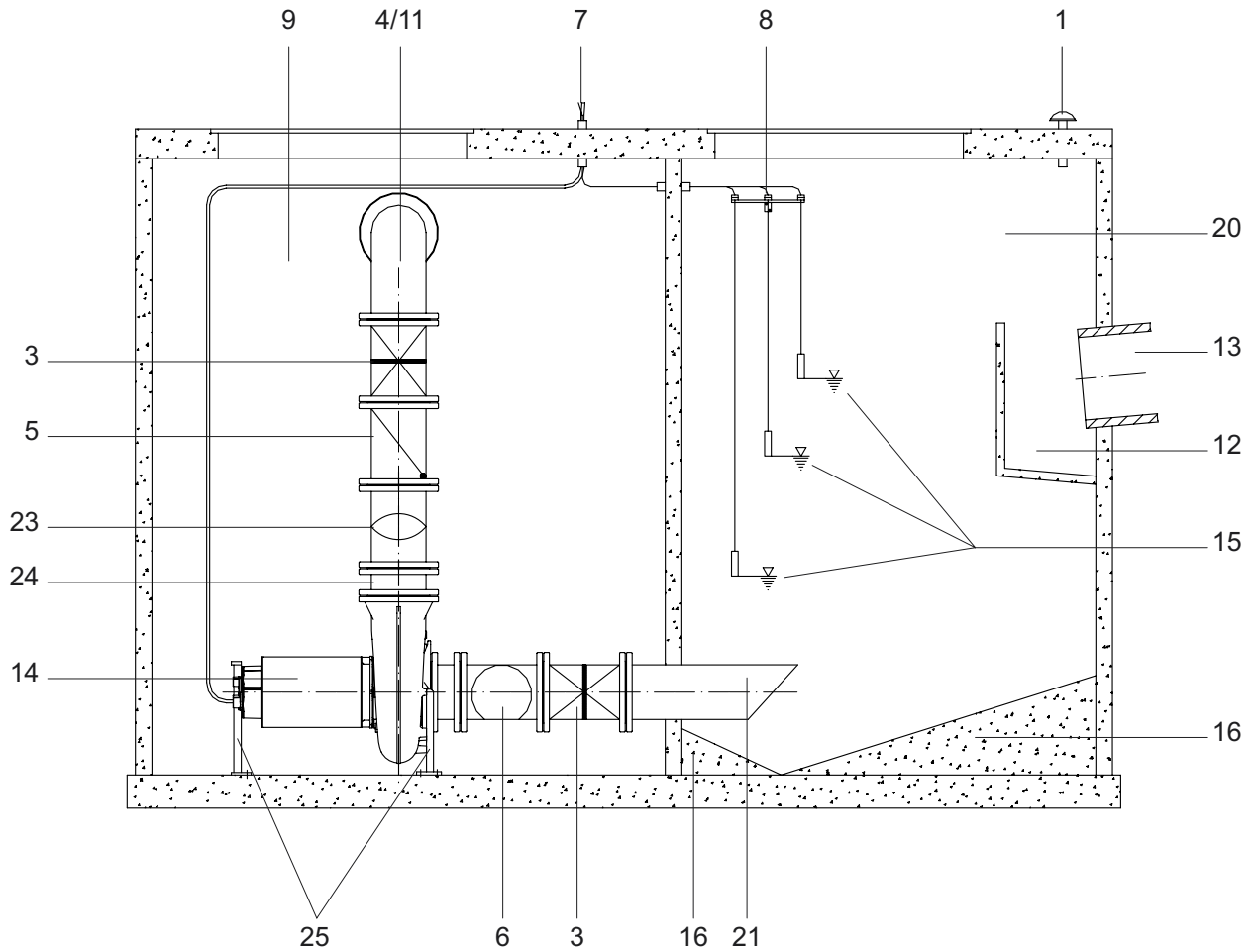


Figure 21 Horizontal dry installation (with closed cooling system)

Legend

- | | |
|------------------------------------|---|
| 1 Venting | 13 Inflow line |
| 3 Shut-off valve | 14 ABS submersible pump |
| 4 Outflow line | 15 Automatic level control |
| 5 Non-return valve | 16 Concrete benching (after installation of suction pipe) |
| 6 Fitting for removal valves | 20 Collection sump |
| 7 Cable duct | 21 Suction line |
| 8 Holder for float switches | 23 Compensation piece |
| 9 Pump sump | 24 Diffuser |
| 11 Discharge line | 25 Head support/volute support |
| 12 Inflow chamber with impact wall | |

NOTE

Any support frame needed for the submersible pump should be erected on site before the pump itself is installed. The specified concrete quality, min. B25 must be used.

5.2.1 Wet installation of the AFP submersible pump



The safety hints in the previous sections must be observed!

ATTENTION Submersible pumps should be installed in accordance with Figure 23.

- Fit a hoist to the submersible pump.
- The ABS submersible pump is suspended on the guide tube by means of the pedestal bracket on the pressure connection and carefully lowered vertically, or at a slight inclination (max. 3°). It couples automatically at the pedestal and seals the pressure connection at the pedestal leak-tight by means of its own weight and a seal.
- Make electrical connection as described in section 5.5.

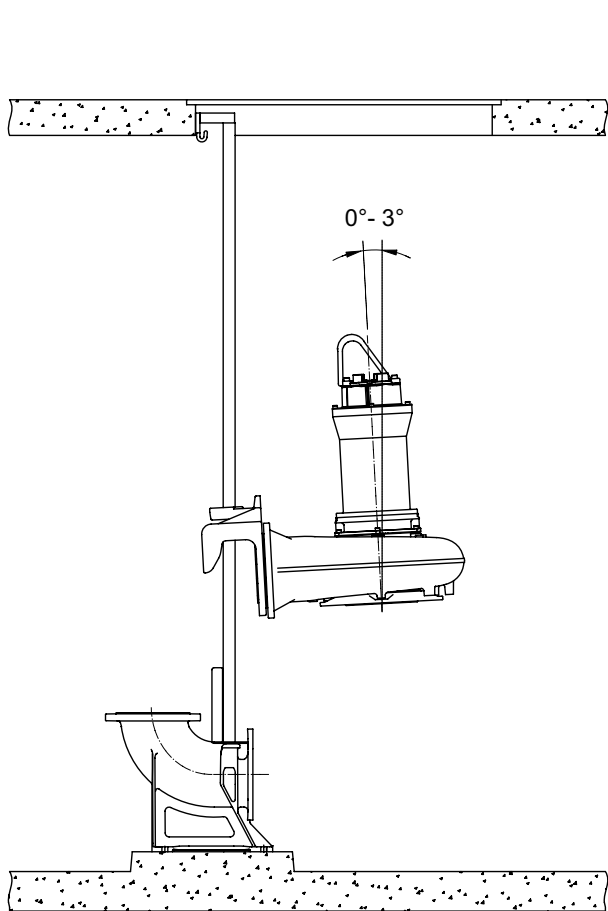


Figure 23 Lowering the submersible pump

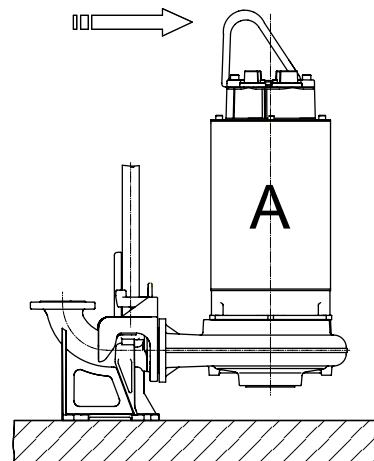


Figure 22 Retaining bracket assembly „HD pedestal“ (assembled at the factory)

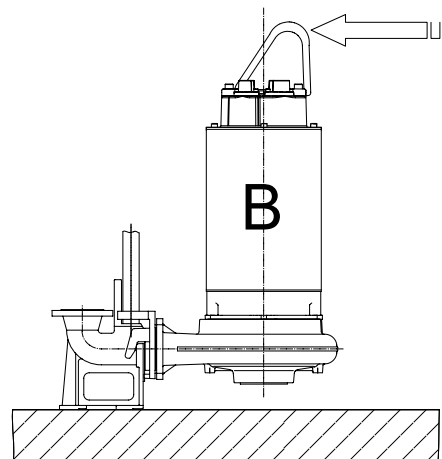


Figure 24 Retaining bracket assembly, pedestal ME4

ATTENTION The lifting hoop is assembled at the factory (only ME4) for the version A with the "HD pedestal". (See Figure 22 and Figure 23). If the pedestal is used in the „light version“ B (see Figure 24 and Figure 25), the lifting hoop must be rotated as shown in Figure 24 by 180°! Tightening torque of the screws: 267 Nm.

5.2.2 Installation of the AFP submersible pump in a dry sump



The safety hints in the previous sections must be observed!

- Fit a hoist to the submersible pump.
- With the aid of the hoist place the submersible pump carefully into the prepared mounting frame and fasten.
- Fit the suction and discharge ports to the volute.
- If required, fit the vent line to the volute.
- Open the gate valves on the suction and discharge side.

5.3 Fitting the pedestal

5.3.1 Pedestal for DN 100 to 200 (light version), inserting the seal

ATTENTION *The seal (25/2) must be inserted into the pedestal bracket (25/3). The larger outer diameter of the seal must point in direction of the discharge flange of the pump!*

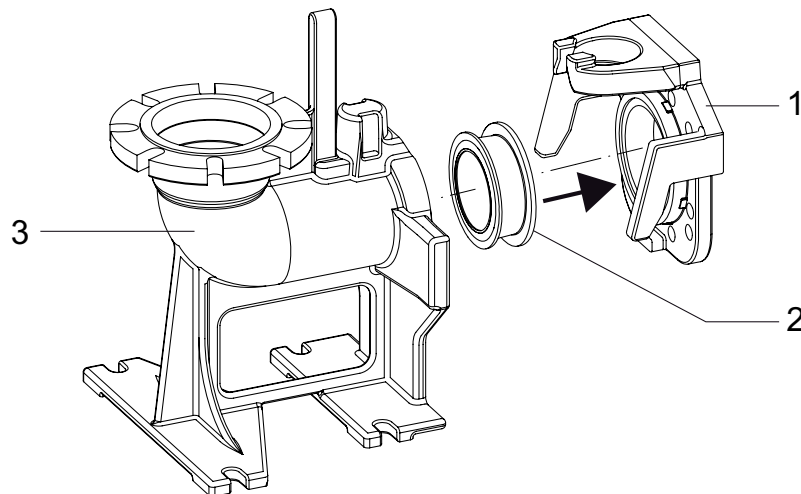


Figure 25 Pedestal (light version only ME4) DN 100/150/200

Legend

- 1 Bracket (is fitted to the pump)
- 2 Seal
- 3 Pedestal

5.3.2 HD- pedestal fitting of O-ring and guide piece

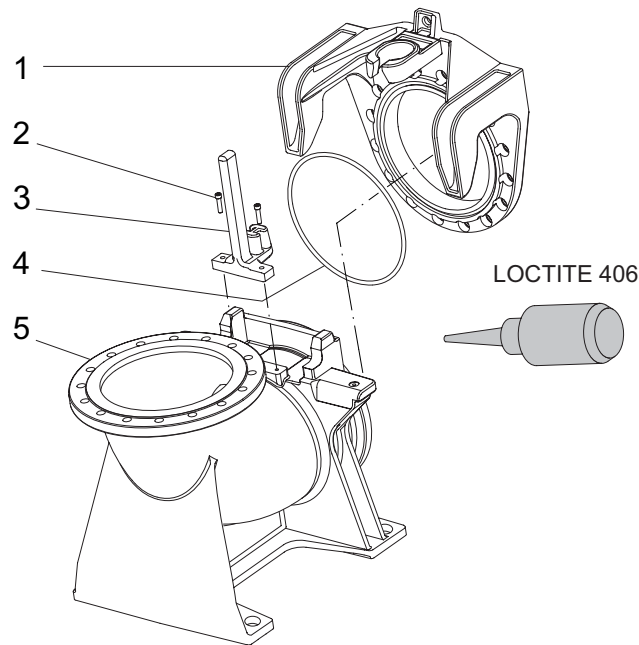


Care, ensure that adhesive does not come into contact with skin or eyes! Wear goggles and gloves!

The groove of the guide piece and O-ring must be clean and free of grease. The instant adhesive LOCTITE type 406 (supplied with the unit) is spread evenly on the base of the groove in the bracket (26/1) and the O-ring inserted immediately.

NOTE *The hardening time of the adhesive is only about 10 seconds!*

The guide piece (26/3) must be screwed on as shown in the drawing! Fasten the guide piece (26/3) with the two M12 screws (26/2). Tighten the screws with a torque of 56 Nm.



26 HD- Pedestal DN 100 - 500

Legend

- | | | | |
|---|---------------------------------|---|----------|
| 1 | Bracket (is fitted to the pump) | 4 | O-ring |
| 2 | Screws (2 off) | 5 | Pedestal |
| 3 | Guide piece | | |

5.4 Installation of the AFL and VUP submersible pumps



The safety hints in the previous sections must be observed!

5.4.1 Types of installation of the AFL and VUP submersible pumps

There are two main types of installation possible with the AFL/VUP submersible pumps.

1. Installation in a steel discharge pipe in accordance with *Figure 27*

2. Installation in a concrete sump in accordance with *Figure 28*

The inflow to the sump for **AFL pumps** must be fitted with a screen. The maximum bar spacing depends on the type of hydraulics fitted to the pump and can be obtained from the table below.

Type of hydraulics	Clean water	Runoff water, river water, used water, rain water, pre-screened liquid, recirculation
	Bar spacing in mm	Bar width in mm
AFL 0700	≤ 40	≤ 20
AFL 0800	≤ 60	≤ 30
AFL 1200	≤ 100	≤ 50
If larger bar spacings are required, please contact ABS		

The inflow to the sump for **VUP pumps** must be fitted with a screen. The maximum bar spacing depends on the type of hydraulics fitted to the pump and can be obtained from the table below.

Type of hydraulics	Clean water	Runoff water, river water, used water, rain water	pre-screened liquid, recirculation
	Bar spacing in mm	Bar spacing in mm	Bar spacing in mm
VUP 0400	≤ 30	≤ 25	≤ 6
VUP 0500	≤ 40		
VUP 0600	≤ 50		
VUP 0800	≤ 60		
VUP 1000	≤ 80		
VUP 1200	≤ 80		
If larger bar spacings are required, please contact ABS			

ATTENTION *When setting the switching off level the minimum cover as given in the installation documents must be adhered to.*

5.4.2 Installations examples with AFL and VUP submersible pumps

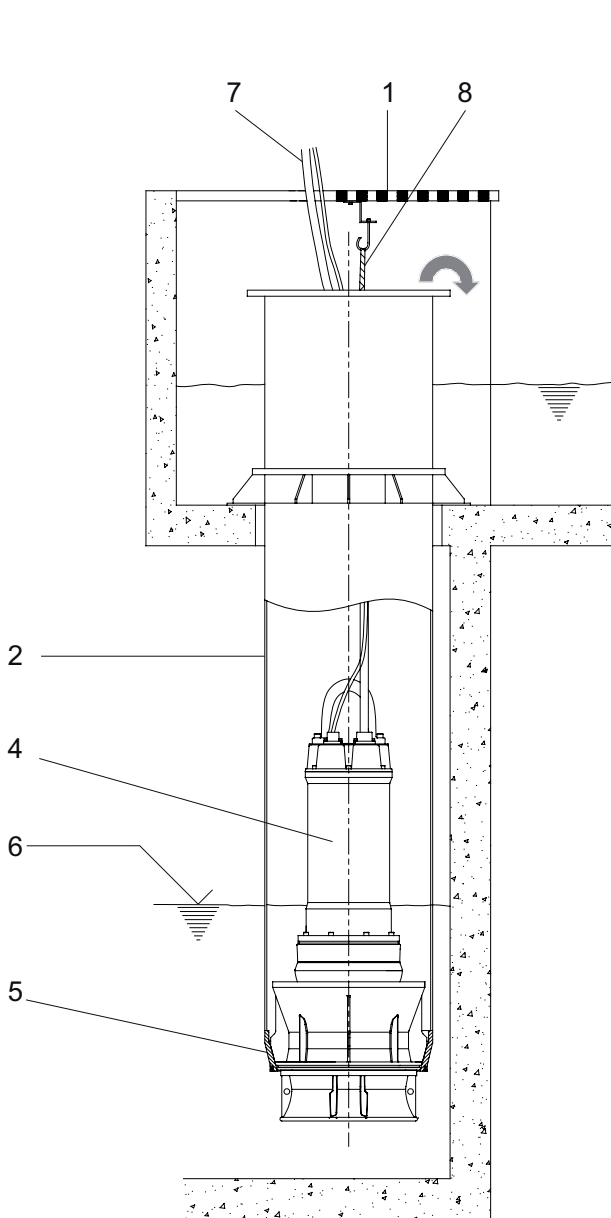


Figure 27 VUP/AFL in a steel discharge pipe

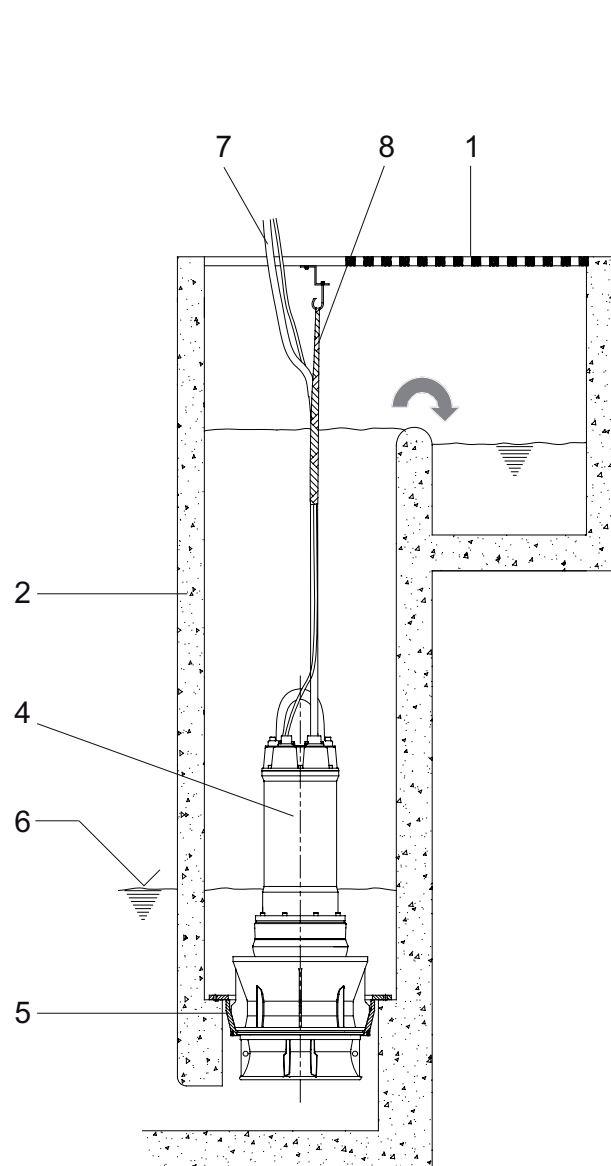


Figure 28 VUP/AFL in a concrete sump

Legend

- | | |
|-------------------------------|---|
| 1 Tank cover | 5 Coupling ring |
| 2 Discharge pipe (riser pipe) | 6 Minimum water level (see installation drawings) |
| 3 Concrete sump | 7 Connection cable |
| 4 AFL/VUP submersible pump | 8 Cable support (for fixing the power cable) |

5.4.3 Installation of the AFL and VUP submersible pumps



The safety hints in the previous sections must be observed!

ATTENTION *The power cables should be handled carefully during installation and removal of the pumps in order to avoid damage to the insulation.*

The coupling ring required for installation of the AFL-ME/VUP-ME submersible pump must already be installed as shown in *Figure 27 and 28*. Before installation of the pump a suitable support (hook) for the chain, as well as an opening and suspension (cable sock) for the cable must be provided in the sump or riser pipe.

NOTE *In the case of AFL/VUP submersible pumps with gearbox the submersible motor and hydraulics mounted to the gearbox are supplied separately.*

Before or during the installation the motor connection cables should be fitted on site with suitable strain relief (e.g. cable socks). Particular care should be taken that the cable insulation is not crushed or damaged by the weight of the hanging cable especially in the area of the cable inlet.

ATTENTION *When raising the submersible pump out of the concrete sump or the steel discharge pipe with the hoist ensure that the connection cables are lifted out simultaneously as the pump itself is being raised.*

5.4.4 Lowering of the AFL and VUP submersible pump into the coupling ring

ATTENTION *Before lowering the pump a direction of rotation check should be carried out, see section 5.5.3*

- Draw the cable hose over the end of the connection cable.

ATTENTION *The steel riser pipe, or concrete sump must be cleaned thoroughly (builder's rubble, etc.). Before fitting the pump into a sump or into a steel discharge pipe, care should be taken that any paint remnants are completely removed from the conical surfaces on the pumps or on the coupling ring. These conical surfaces must then be greased. To optimise the inflow and to reduce the noise level it is important that one pair of fins of the suction pipe are in line with the main flow direction of the inflow chamber. This must be observed when fitting the pump into a sump or into a steel discharge pipe.*

- Carefully lower the submersible pump with the aid of a hoist into the coupling ring in the sump. Take care that the cable is lowered simultaneously and cannot snag.
- Attach the lifting chain to the hook provided so that it cannot strike either the pump cable or the sump wall.
- Tension the pump cable and fasten to the hook provided with the aid of the cable sock. Where a steel pressure pipe is used the connection cable should be brought through the connection cable inlet and sealed off in a watertight manner.



The connection cable should only be tightened sufficiently so that no tension acts at the cable inlet in the head of the pump. The connection cable should not strike the chain or the sump wall.

- If necessary, the steel riser pipe is sealed off in a watertight manner.

5.5 Electrical connection



The safety hints in the previous sections must be observed!

Before commissioning an expert should check that one of the necessary electrical protective devices is available. Earthing, neutral, earth leakage circuit breakers, etc. must comply with the regulations of the local electricity supply authority and a qualified person should check that these are in perfect order.

ATTENTION *The power supply system on site must comply with VDE or other local regulations with regard to cross-sectional area and maximum voltage drop. The voltage stated on the nameplate of the pump must correspond to that of the mains.*



The incoming power supply as well as the connection of the pump itself to the terminals on the control panel must comply with the circuit diagram of the control panel as well as the motor connection diagrams and must be carried out by a qualified person.

The power supply cable must be protected by an adequately dimensioned slow-blow fuse corresponding to the rated power of the pump.

ATTENTION *The unit should only be operated with the overload relay and thermal sensors/limiters connected.*

5.5.1 Standard connection diagrams, mains voltage 380 - 420 V at 50 Hz/460 V at 60 Hz

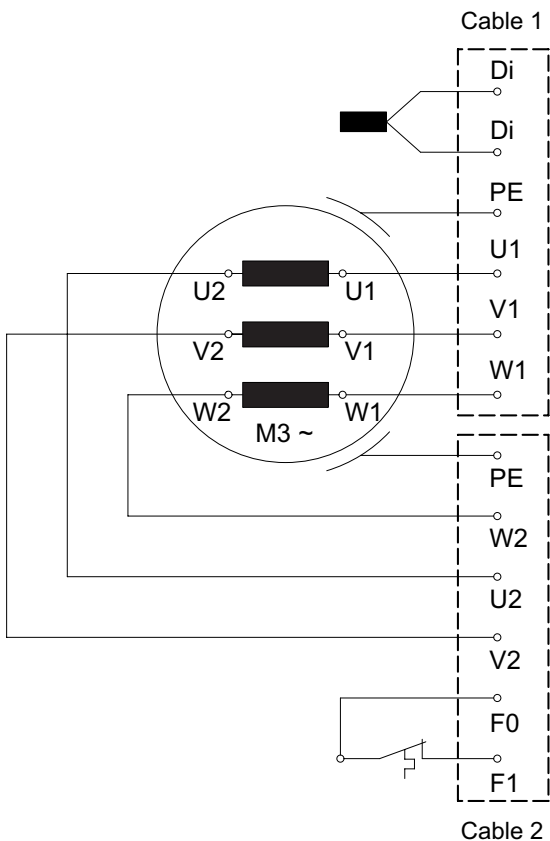


Figure 29 Two power cables, each with integrated control leads

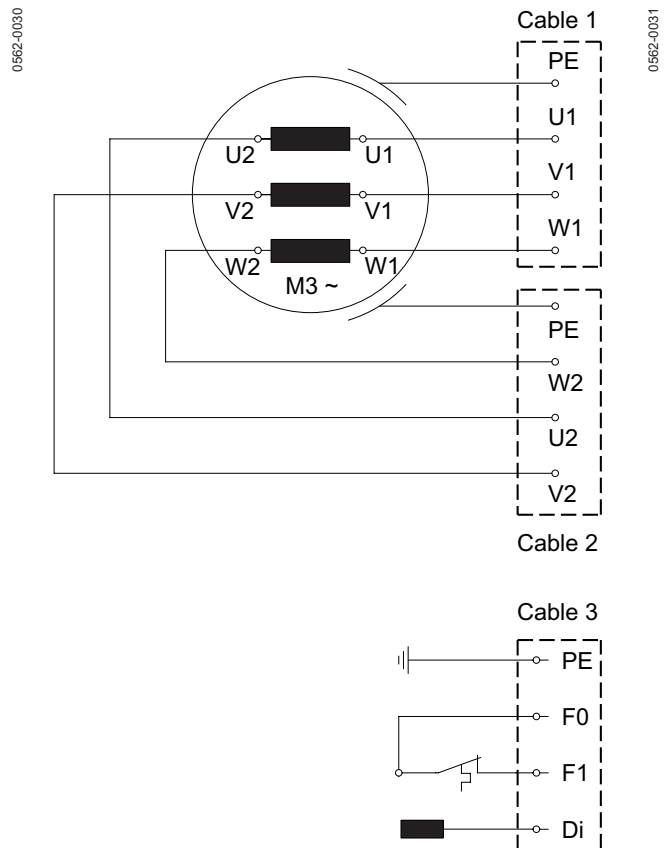


Figure 30 Two power cables and one control cable

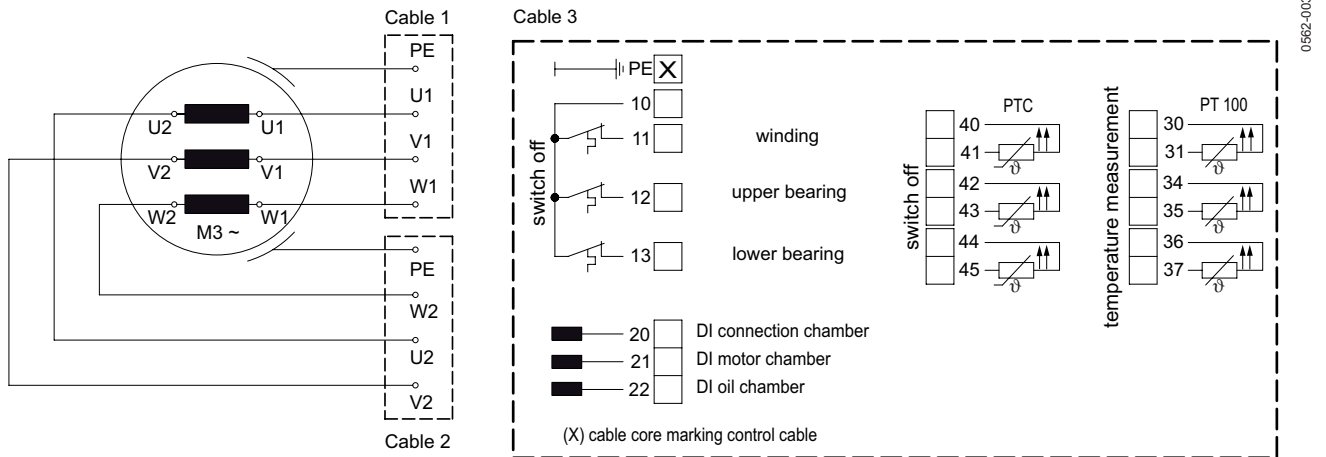


Figure 31 Special versions: two power cables and one control cable - for optional motor monitoring features

ATTENTION The cable leads are routed out of the motor. No switching takes place in the motor! Any switching required (use of bridges) must be carried out in the control panel.

NOTE Information on the type of starting can be obtained from the nameplate of the pump.

5.5.2 Lead designations

Direct starting in star					
	L1	L2	L3	Join	
North America	1	2	3	4 & 5 & 6	
ABS/Germany	U1	V1	W1	U2 & V2 & W2	
Direct starting in delta					
	L1	L2	L3	-	
North America	1; 6	2; 4	3; 5	-	
ABS/Germany	U1; W2	V1; U2	W1; V2	-	

5.5.3 Checking direction of rotation



The safety hints in the previous sections must be observed!

When three phase units are being commissioned for the first time and also when used on a new site, the direction of rotation must be carefully checked by a qualified person.



When checking the direction of rotation, the submersible pump should be secured in such a manner that no danger to personnel is caused by the rotating impeller, or by the resulting air flow. Do not place your hand into the hydraulic system!

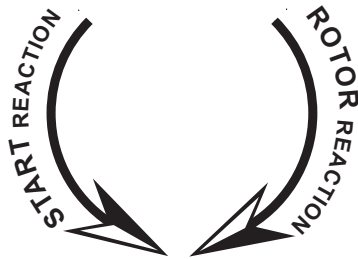


The direction of rotation should only be altered by a qualified person.



When carrying out the direction of rotation check as well as when starting the unit pay attention to the **START REACTION**. This can be very powerful.

ATTENTION
The **direction of rotation** is correct if the imeller/propeller rotates in a **clockwise** manner when viewing down from the top of the placed unit



0562-0035

ATTENTION
The **start reaction** is **anti clockwise**

Figure 32 Rotor rotation

NOTE *If a number of pumps are connected to a single control panel then each unit must be individually checked.*

ATTENTION *The mains supply to the control panel should have a clockwise rotation. If the leads are connected in accordance with the circuit diagram and lead designations, the direction of rotation will be correct.*

5.5.4 Changing direction of rotation



The safety hints in the previous sections must be observed!



The direction of rotation should only be altered by a qualified person.

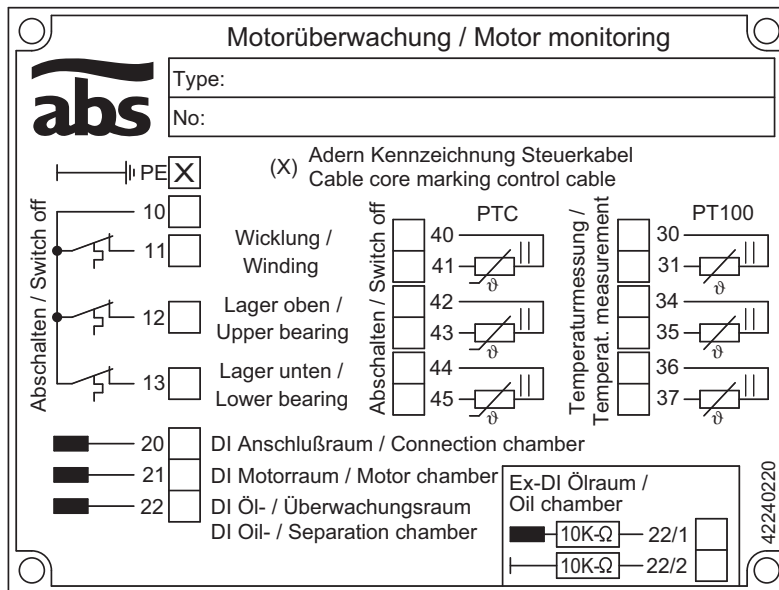
If the direction of rotation is incorrect then this is altered by changing over two phases of the power supply cable in the control panel. The direction of rotation should then be rechecked.

NOTE *The direction of rotation measuring device monitors the direction of rotation of the mains supply or that of an emergency generator.*

5.5.5 Connection of the control circuit leads



The safety hints in the previous sections must be observed!



0562-0036

Control circuit leads for submersible pumps

- 10 = Common lead
- 11 = Stator upper
- 12 = Bearing upper
- 13 = Bearing lower
- 20 = DI-connection chamber
- 21 = DI-Motor chamber
- 22 = DI-Oil chamber

= PE (green/yellow)

Figure 33 Designation of control circuit leads

NOTE The available connections can be obtained from the relevant connection diagram.

5.5.6 Connection of the seal monitoring unit to the control panel

The submersible pumps are supplied as standard with DI-probes for seal monitoring. In order to integrate this seal monitoring function into the control panel of the pump it is necessary to fit an ABS DI-module and connect this in accordance with the circuit diagrams below.

ATTENTION If the DI-seal monitoring is activated the unit must be immediately taken out of service. Please contact your ABS service centre.

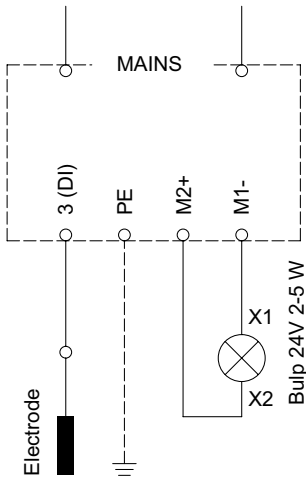


Figure 34 Electronic amplifier with signal lamp

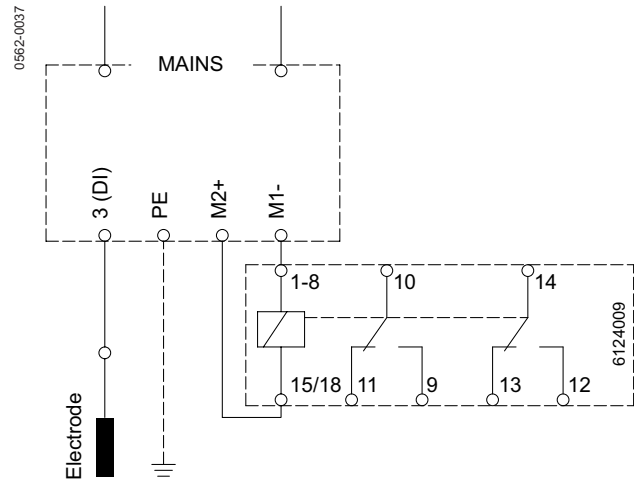


Figure 35 Electronic amplifier with floating contact

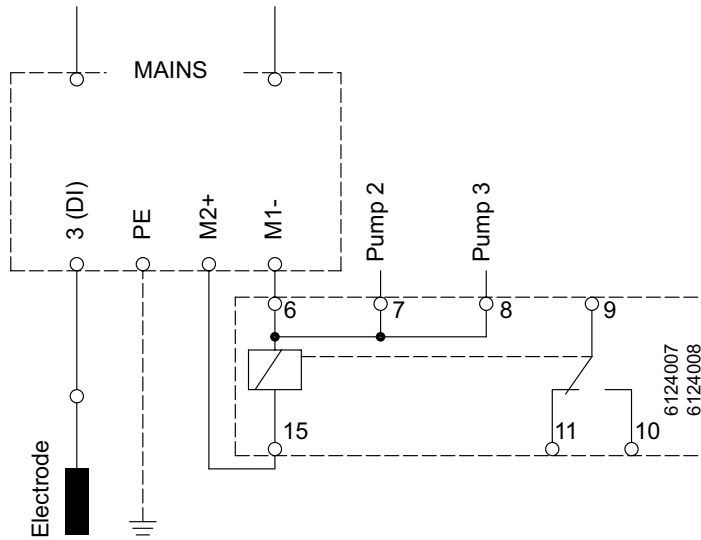


Figure 36 Electronic amplifier with collective signalling

Electronic amplifier for 50 Hz		Electronic amplifier for 60 Hz	
110 V	(Art.-Nr./Part No.: 6 124 0113)	115 V	(Art.-Nr./Part No.: 6 124 0170)
230 V	(Art.-Nr./Part No.: 6 124 0114)	230 V	(Art.-Nr./Part No.: 6 124 0171)
400 V	(Art.-Nr./Part No.: 6 124 0115)	460 V	(Art.-Nr./Part No.: 6 124 0172)
440 V	(Art.-Nr./Part No.: 6 124 0116)	575 V	(Art.-Nr./Part No.: 6 124 0173)

ATTENTION Maximum relay contact loading: 2 Ampere.

6 Commissioning



The safety hints in the previous sections must be observed!

Before commissioning the pump/pump station should be checked and a functional test carried out. Particular attention should be paid to the following:



In explosive zones care must be taken that during switching on and operation of the pumps the pump section is filled with water (dry running) or alternatively is submerged or under water (wet installation). Ensure in this case that the minimum submergence given in the data sheet is observed, Other types of operation e.g. snore operation or dry running are not allowed.

- Have the electrical connections been carried out in accordance with regulations?
- Have the thermal sensors been connected?
- Is the seal monitoring device (where fitted) correctly installed?
- Is the motor overload switch correctly set?
- Have the power and control circuit cables been correctly fitted?
- Was the sump cleaned out?
- Have the inflow and outflows of the pump station been cleaned and checked?
- Is the direction of rotation of the pump correct - even if run via an emergency generator?
- Are the level controls functioning correctly?
- Are the required gates valves (where fitted) open?

AFP

- Do the non-return valves (where fitted) function easily?
- Have the hydraulics been vented in the case of dry installed pumps?

AFL/VUP

- Have the steel riser pipe, or concrete sump be cleaned thoroughly (builder's rubble, etc.)
- Are any paint remnants are removed from the conical surfaces on the pumps or on the coupling ring? Are these conical surfaces be greased?

6.1 Starting frequency of the motors

The allowable starting frequency per hour can be read from the table below (where not otherwise specified from the works).

Motor power	maximum starts per hour	at interval in minutes
15 - 160 kW	15	4
> 160 kW	10	6

ATTENTION *The allowable starting frequency for any starting devices should be obtained from manufacturer of these devices.*

7 Maintenance



The safety hints in the previous sections must be observed!

7.1 General maintenance hints



Before commencing any maintenance work the pump should be completely disconnected from the mains by a qualified person and care should be taken that it cannot be inadvertently switched back on.

NOTE

The maintenance hints given here are not designed for “do-it-yourself” repairs as special technical knowledge is required.



Repair work on explosion-proof motors may only be carried out in approved workshops by approved personnel using original parts supplied by the manufacturer. Otherwise the ex-approvals no longer apply.

ABS submersible pumps are reliable quality products each being subjected to careful final inspection. Lubricated-for-life ball bearings together with monitoring devices ensure optimum pump reliability provided that the pump has been connected and operated in accordance with the operating instructions.

Should, nevertheless, a malfunction occur, do not improvise but ask your ABS customer service department for assistance.

This applies particularly if the pump is continually switched off by the current overload in the control panel, by the thermal sensors/limiters of the thermo-control system or by the seal monitoring system (DI).

ATTENTION

The lifting tools like chains and shackles should be visually checked in regular intervals (approx. every 3-month) for wear and corrosion. These parts should be replaced if required!

The ABS service organisation would be pleased to advise you on any applications you may have and to assist you in solving your pumping problems.

NOTE

The ABS warranty conditions are only valid provided that any repair work has been carried out in ABS approved workshops and where original ABS spare parts have been used.

7.2 Maintenance hints if the submersible pump is out of use for a considerable period

NOTE

If the pumps have remained idle for more than 12 months then we recommend that you ask ABS or an approved distributor for advice.

7.2.1 Before installation

The covers giving moisture protection of the cables (see section 3.2.1) should be only removed immediately before actual installation of the pump. After the removal of the transport securing devices and before connecting up the pump electrically the motor shaft should be rotated a number of times by turning the impeller or propeller by hand.

7.2.2 After installation

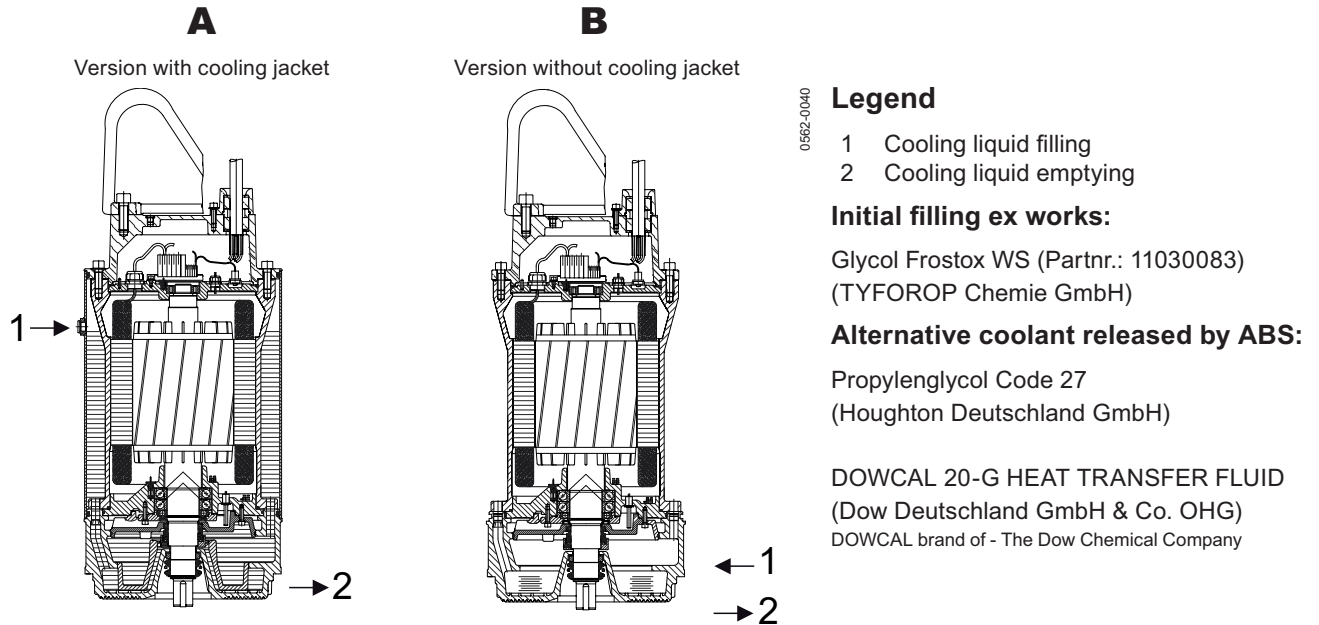
If, after installation of the submersible pump, it remains out of use for prolonged periods (for example in storm water holding tanks) then we recommend that the pump be run for a maximum of 1 minute every 3 months in order to check both its functioning and availability.



Attention: Dry running of Ex units located in areas where an explosion could occur is not allowed!

7.3 Coolant filling (Lubrication oil filling only VUP/AFL-ME6)

ATTENTION Only coolants released by the manufacturer should be used!



Legend

- 1 Cooling liquid filling
- 2 Cooling liquid emptying

Initial filling ex works:

Glycol Frostox WS (Partnr.: 11030083)
(TYFOROP Chemie GmbH)

Alternative coolant released by ABS:

Propylenglycol Code 27
(Houghton Deutschland GmbH)

DOWCAL 20-G HEAT TRANSFER FLUID
(Dow Deutschland GmbH & Co. OHG)
DOWCAL brand of - The Dow Chemical Company

Bild 37 Cooling liquid filling and emptying

Data is only valid for coolant used ex works. (Additional product information and safety data sheet are available on request).



When dealing with Frostox WS the general protective measures for chemicals must be observed. The information and hints in the safety data sheets covering this must be observed!

Motor ME4		AFP-ME 1077, 1575, 1576, 2073, 2571, 3071, 3501		AFP-ME 1001, 1002, 1036, 1501, 2001, 3003		VUP-ME4 0401/2/3, 0501/2/3, 0601/2	AFL-ME4 0701
		ø 375 mm		ø 375 mm			
50 Hz	60 Hz	A *	B *	A *	B *		
ME 220/4-41	ME 250/4-41.60	34.0	8.0	38.3	12.3	2.3	-
ME 300/4-42	ME 350/4-42.60	34.0	8.0	38.3	12.3	2.3	-
ME 370/4-43	ME 430/4-43.60	28.5	8.0	32.8	12.3	2.3	-
ME 450/4-44	ME 520/4-44.60	28.5	8.0	32.8	12.3	2.3	-
ME 540/4-44	ME 650/4-44.60	-	-	-	-	2.3	-
ME 185/6-41	ME 210/6-41.60	34.0	8.0	38.3	12.3	2.3	-
ME 220/6-42	ME 250/6-42.60	28.5	8.0	32.8	12.3	2.3	-
ME 300/6-43	ME 350/6-43.60	28.5	8.0	32.8	12.3	2.3	-
ME 370/6-44	ME 430/6-44.60	28.5	8.0	32.8	12.3	2.3	-
ME 150/8-41	ME 170/8-41.60	28.5	8.0	32.8	12.3	-	2.3
ME 185/8-42	ME 210/8-42.60	28.5	8.0	32.8	12.3	-	2.3
ME 220/8-43	ME 250/8-43.60	28.5	8.0	32.8	12.3	-	2.3
ME 300/8-44	ME 350/8-44.60	28.5	8.0	32.8	12.3	-	2.3

* A = Version **with** cooling jacket * B = Version **without** cooling jacket
Filling volumes in Litres. Coolant: 33% Glycol und 67% Water; Frost-resistant up to -20 °C/-4 °F

only version B

Motor ME5		AFP-ME 1001, 1002, 1036, 1077, 1501, 1575, 1576, 2001, 2073, 2571, 3003, 3071		AFP-ME 1552, 2002, 2501, 2503, 3001, 3002, 3502, 4001		AFP-ME 5001		VUP-ME 0501/2/3 0601/2/0801/2 AFL-ME 0701, 0801/2
		ø 375 mm		ø 475 mm		ø 670 mm		
50 Hz	60 Hz	A *	B *	A *	B *	A *	B *	
ME 550/4-51	ME 630/4-51.60	43.0	15.0	48.0	16.0	-	-	-
ME 750/4-52	ME 860/4-52.60	55.5	15.0	66.0	16.0	-	-	-
ME 900/4-53	ME 1040/4-53.60	55.5	15.0	66.0	16.0	-	-	-
ME 1100/4-54	ME 1250/4-54.60	55.5	15.0	66.0	16.0	-	-	-
ME 450/6-51	ME 520/6-51.60	43.0	15.0	48.0	16.0	-	-	6.6
ME 550/6-52	ME 630/6-52.60	55.5	15.0	66.0	16.0	-	-	6.6
ME 750/6-53	ME 860/6-53.60	55.5	15.0	66.0	16.0	72.0	22.0	6.6
ME 900/6-54	ME 1040/6-54.60	55.5	15.0	66.0	16.0	72.0	22.0	6.6
ME 370/8-51	ME 430/8-51.60	-	-	66.0	16.0	72.0	22.0	6.6
ME 450/8-52	ME 520/8-52.60	-	-	66.0	16.0	72.0	22.0	6.6
ME 550/8-53	ME 630/8-53.60	-	-	66.0	16.0	72.0	22.0	6.6
ME 730/8-53	ME 840/8-53.60	-	-	66.0	16.0	72.0	22.0	-
ME 300/10-51	ME 350/10-51.60	-	-	66.0	16.0	72.0	22.0	6.6
ME 370/10-52	ME 430/10-52.60	-	-	66.0	16.0	72.0	22.0	6.6
ME 450/10-53	ME 520/10-53.60	-	-	66.0	16.0	72.0	22.0	6.6

* **A** = Version **with** cooling jacket * **B** = Version **without** cooling jacket
 Filling volumes in Litres. Coolant: 33% Glycol und 67% Water; Frost-resistant up to -20 °C/-4 °F

only version **B**

Motor ME6		AFP-ME 2002, 2501, 2503, 3001, 3002, 3502, 4001		AFP-ME 4004		AFP-ME 5001		AFP-ME 6003	
		ø 475 mm		ø 530 mm		ø 670 mm		ø 850 mm	
50 Hz	60 Hz	A *	B *	A *	B *	A *	B *	A *	B *
ME 1320/4-61	ME 1500/4-61.60	95.3	-	-	-	-	-	-	-
ME 1600/4-62	ME 1850/4-62.60	95.3	-	-	-	-	-	-	-
ME 2000/4-63	ME 2200/4-63.60	95.3	-	-	-	-	-	-	-
ME 2500/4-44	ME 2800/4-64.60	108.3	-	-	-	-	-	-	-
ME 1100/6-61	ME 1250/6-61.60	95.3	-	93.0	-	101	-	-	-
ME 1320/6-62	ME 1500/6-62.60	95.3	-	93.0	-	101	-	-	-
ME 1600/6-63	ME 1850/6-63.60	108.3	-	93.0	-	101	-	-	-
ME 2000/6-64	ME 2200/6-64.60	-	-	106.0	-	114	-	-	-
ME 900/8-61	ME 1040/8-61.60	-	-	93.0	-	101	-	-	-
ME 1100/8-62	ME 1250/8-62.60	-	-	93.0	-	101	-	-	-
ME 1320/8-63	ME 1500/8-63.60	-	-	93.0	-	101	-	-	-
ME 1600/8-64	ME 1850/8-64.60	-	-	-	-	114	-	125.2	-
ME 750/10-61	ME 860/10-61.60	-	-	-	-	101	-	112.2	-
ME 900/10-62	ME 1040/10-62.60	-	-	-	-	101	-	112.2	-
ME 1100/10-63	ME 1250/10-63.60	-	-	-	-	-	-	125.2	-
ME 1320/10-64	ME 1500/10-64.60	-	-	-	-	-	-	125.2	-
ME 750/12-61	ME 860/12-61.60	-	-	-	-	-	-	112.2	-
ME 900/12-62	ME 1040/12-62.60	-	-	-	-	-	-	125.2	-

* **A** = Version **with** cooling jacket * **B** = Version **without** cooling jacket
 Filling volumes in Litres. Coolant: 33% Glycol und 67% Water; Frost-resistant up to -20 °C/-4 °F

Filling volumes lubrication oil:

Hydraulics	Filling volume oil chamber	Filling volume gearbox	Motor ME6	Hydraulics	Filling volume oil chamber	Filling volume gearbox
VUP 0600	2.5	-		AFL 800	3.0	-
VUP 0800	2.5	-		AFL 1200	2.5	-
VUP 1000	7.0	-		AFL 1200 G	7.0	51.0
VUP 1200	13.0	-				
VUP 1000 G	7.0	51.0				
VUP 1200 G	8.0	51.0				

7.4 Removal of the submersible pump



The safety hints in the previous sections must be observed!

7.4.1 Removal of the AFP submersible pump from a wet sump



Before removal of the unit the motor connection cables at the control panel should be completely disconnected by a qualified person from mains and care should be taken that it cannot be inadvertently switched back on.



Before removal of units in hazardous areas the sump and surrounding area must be adequately vented to avoid the danger of a spark causing an explosion!

- Fit a hoist to the pump in accordance to *section 3.1*.
- Raise the submersible pump out of the sump with the hoist. While doing this the connection cables should be simultaneously drawn out of the sump as the pump itself is being raised.
- Place the pump with volute vertically on a solid surface and take care that it cannot fall over.

7.4.2 Removal of the AFP submersible pump when dry installed

- Close off the gate valves on the inlet and discharge sides.
- Empty the volute and, if necessary, the discharge line.
- If fitted, dismantle the venting line above the discharge.
- Install lifting gear, *see 3.1* on the submersible pump.
- Disconnect the suction inlet by opening the bolts on the bottom plate of the hydraulics.
- Dismantle the discharge line by opening the bolts on the discharge flange of the volute.
- If necessary, remove the fastening bolts at the ground support ring and carefully lift off the pump with the hoist.
- Place the pump on an even, firm, flat surface.

7.4.3 Removal of the AFL and VUP submersible pump

- If present, the discharge pipe cover should be removed and the water pressure-tight cable inlet opened.
- Raise the submersible pump out of the concrete sump or the steel discharge pipe with the hoist. While doing this the connection cables should be drawn out as the pump itself is being raised.
- Place the submersible pump with propeller housing vertically on a solid surface, taking care that it cannot tip over.

8 Assembling the gearbox AFL/VUP

8.1 Assembling the motor and the gearbox/hydraulic unit



The safety hints in the previous sections must be observed!

Pay close attention to the assembly instructions and work in the indicated sequence, in order to guarantee that both main parts (38/1) and (38/2) are perfectly assembled. First check that all required additional parts as well as LOCTITE type 243 and suitable hoisting devices are available.

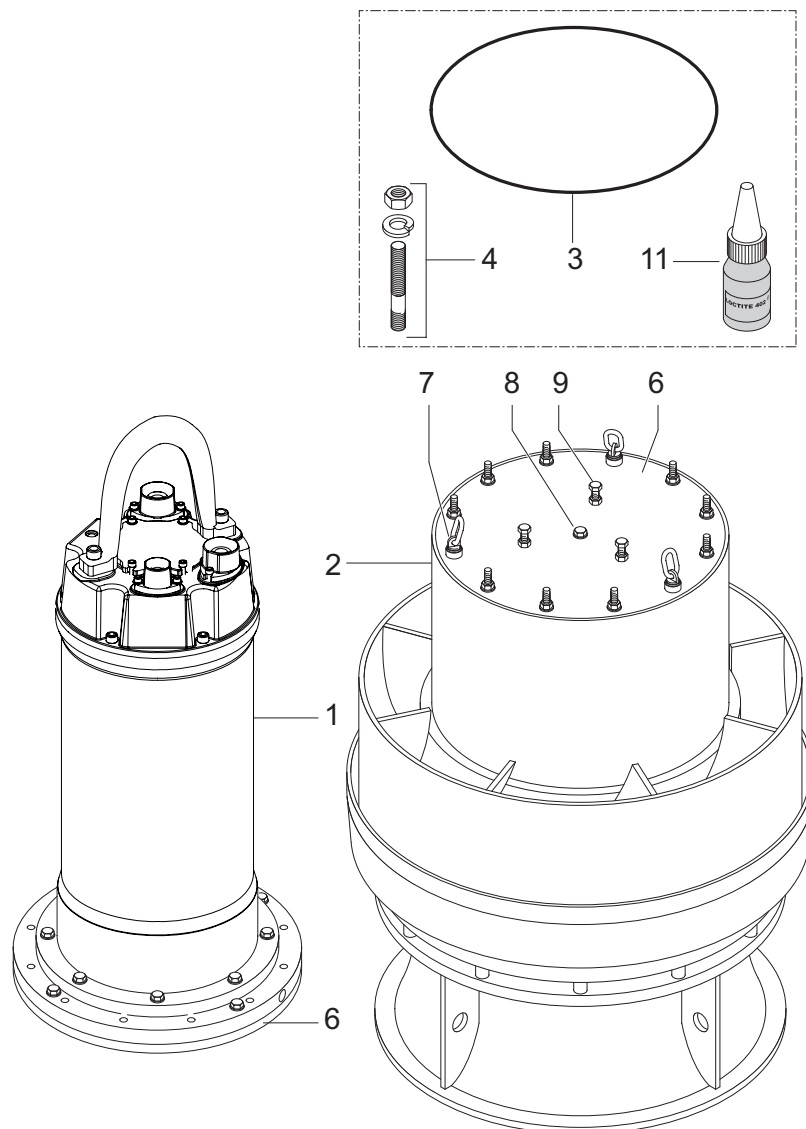


Figure 38 Assembling the motor and the gearbox/hydraulic unit

Legend

- | | | | |
|---|---|----|-------------------|
| 1 | Motor with transport securing device | 7 | Swivel connection |
| 2 | Gearbox/hydraulic unit with transportation lock | 8 | Hex. screws |
| 3 | O-ring for motor/gearbox assembly | 9 | Fixing screws |
| 4 | 3 x stud, with nuts and spring washers | 11 | LOCTITE type 243 |
| 6 | Transport securing device | | |

8.2 Remove transport securing device

- Connect a suitable hoist of adequate capacity to the lifting hoop (39/1) of the motor and hoist it.
- Loosen the hex screw (39/2) in the center (shaft lock).
- Loosen the hex screw (39/3) at the motor flange.
- Remove the transportation securing device (39/6).
- Store the motor (39/7) on a suitable support (39/8), e.g. two thick planks of hardwood, in such a way that the motor shaft is not damaged.



For safety reasons, the hoist must always remain connected during all assembly steps.

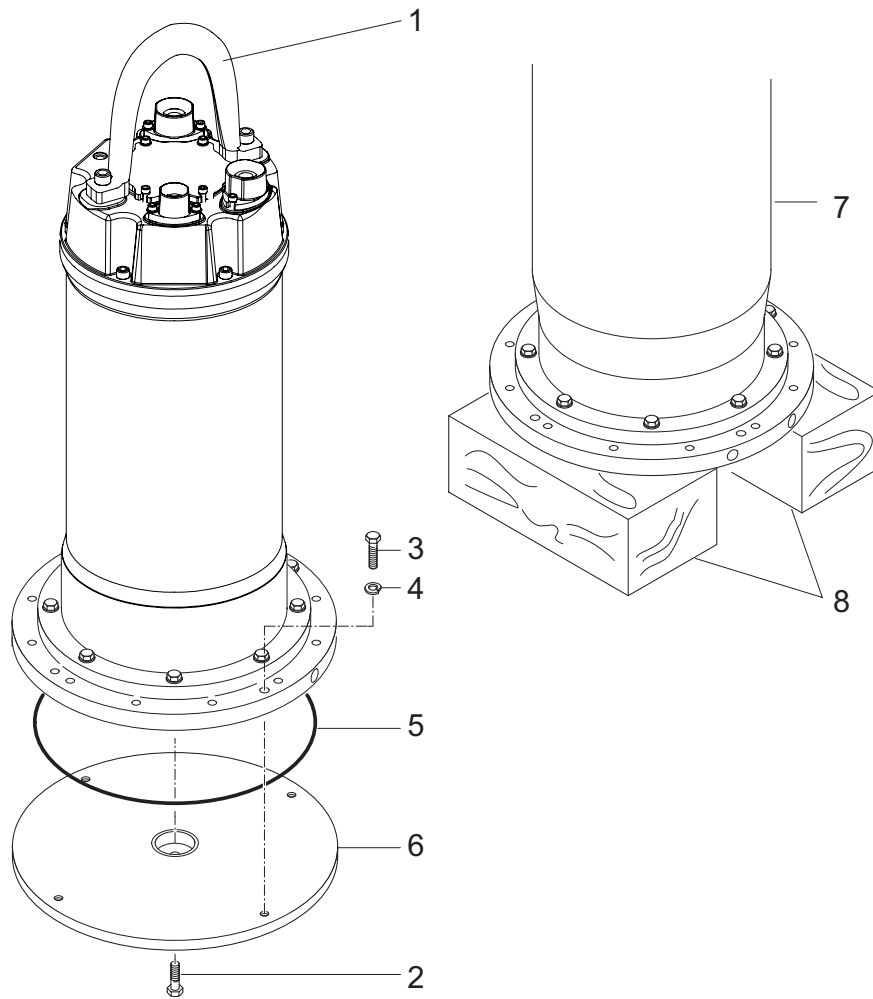


Figure 39 Remove transport securing device

8.3 Remove transport securing device of the gearbox

ATTENTION *When removing the transport securing device and when assembling the parts, ensure that these are absolutely clean. Ensure that no contaminants enter the gear box!*

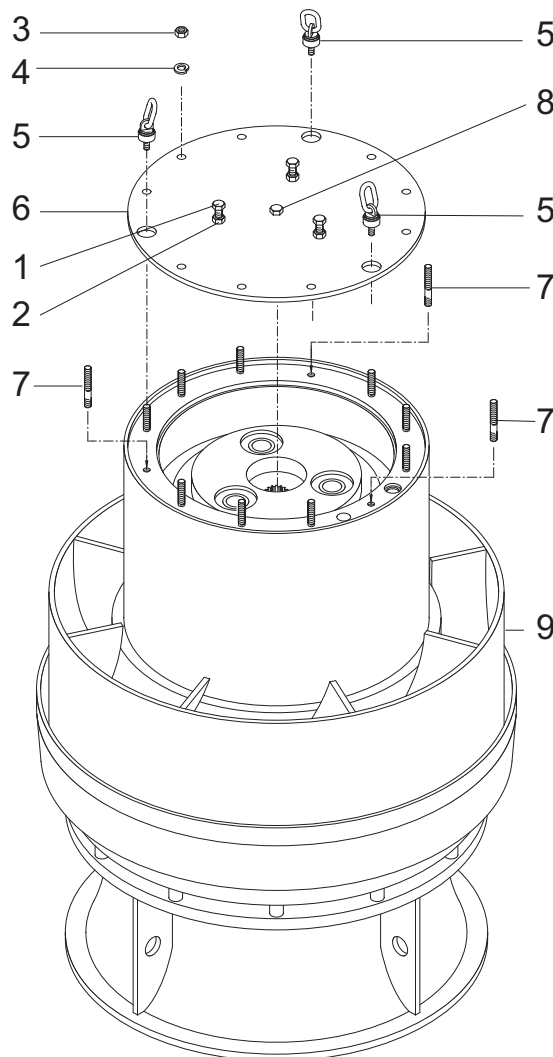
- Remove the transport securing device for pump shafts according to para. 3.2.3

NOTE *There is a threaded hole in the middle of the cover (40/6) into which an eye bolt can be inserted.*

- Loosen the securing screws (40/8) and screw an eye bolt (M12) into the central threaded hole of the transport securing device (40/6).
- Connect a suitable hoist to the eye bolt.
- Loosen the nuts (40/3) of the studs and loosen the swivel connection (40/5).

NOTE *The 3 locked screws (40/1) (not on all versions) need not be loosened.*

- Using the hoist carefully lift off the transport securing device (40/6).
- Moisten the missing studs (40/7) with LOCTITE (type 243, medium strength) and screw them in all the way.

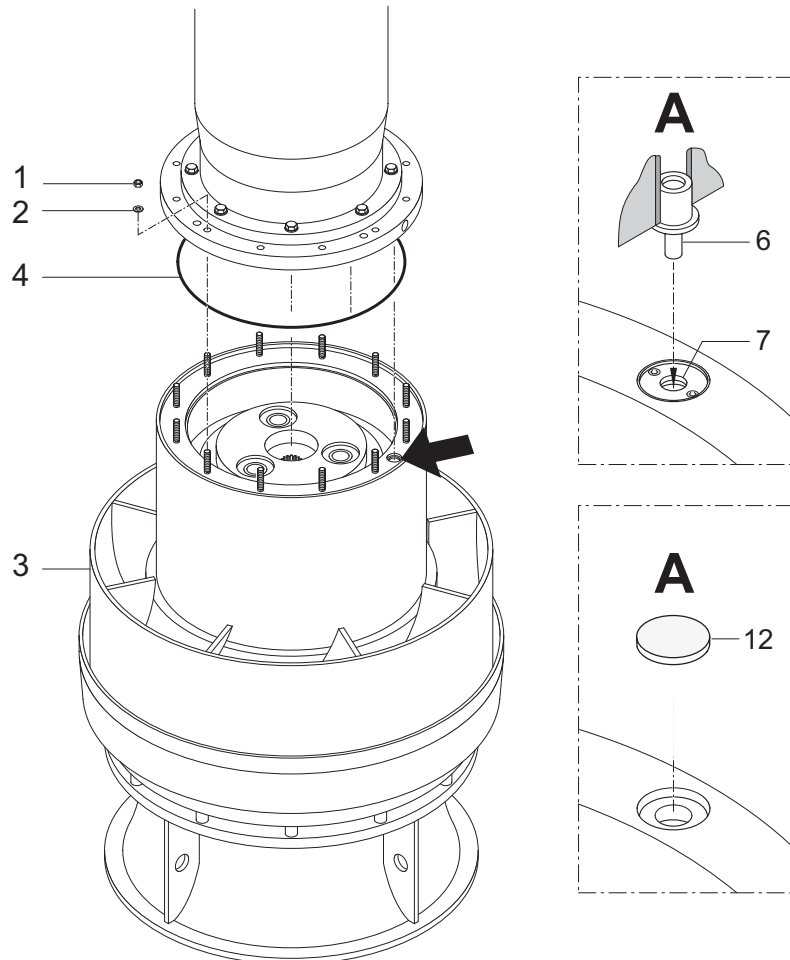


0520-0021

Figure 40 Remove transport securing device of gearbox

8.4 Assembly instructions for gearbox/motor housing

- Use a suitable hoist to position the motor over the gearbox-hydraulic part in such a way, that the DI probe (41/6) with the counter-pole (41/7) (or in case of Ex pumps the sealing washer (41/12)) is in position - aligned with the drilling in the intermediate flange.
- Lower the motor just so far as to reduce the distance between the gearbox housing and the intermediate flange to 20-30 cm.
- Push the slightly-greased O-ring (41/4) over the centring seat of the intermediate flange.
- Carefully centre the motor over the gearbox and lower it slowly, until the studs of the gearbox flange are in the holes of intermediate flange.



0520-0022

Figure 41 Assembly instructions gearbox/motor housing

ATTENTION Before lowering the motor, check the position of the DI (or in case of Ex pumps the sealing washer) in relation to the hole in the gearbox flange!

- Now carefully lower the motor until the teeth of the motor shaft lock in the relevant slots of the gearbox shaft.

NOTE Should the teeth not interlock (teeth between teeth), then the motor should again be lifted slightly and the incorrect position remedied by rotating the propeller by hand (about a few degrees).

- When the motor shaft is correctly centred or interlocked, lower the motor all the way and securely bolt it and the gearbox into position (observe the tightening torque!).

NOTE The propeller should be capable of being turned by hand.



I ABS Production Lohmar GmbH I Scheiderhöher Straße 30-38, D-53797 Lohmar, Germany I
I Tel. +49 22 46 900 0 I Fax +49 22 46 900 200 I www.absgroup.com I