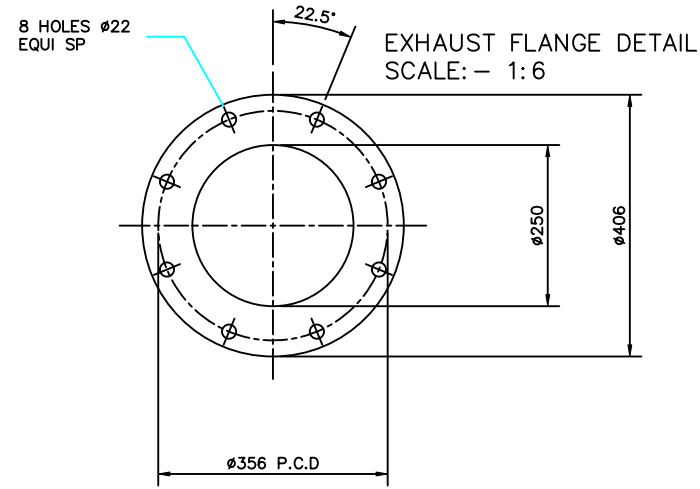


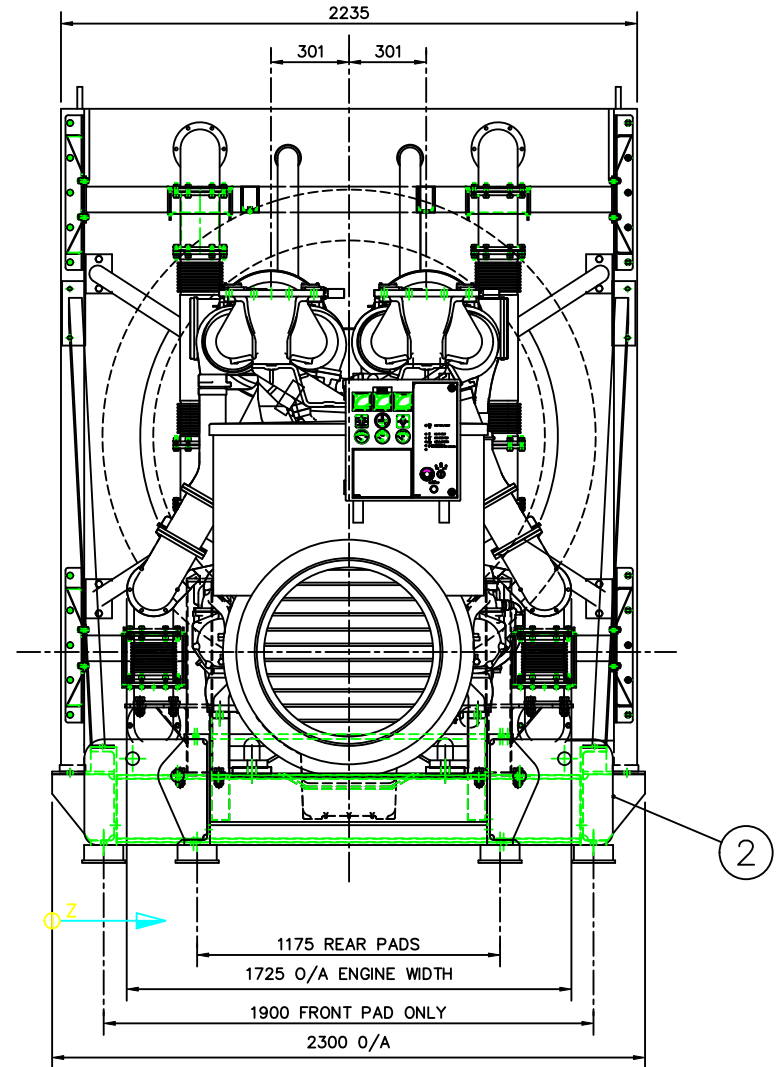
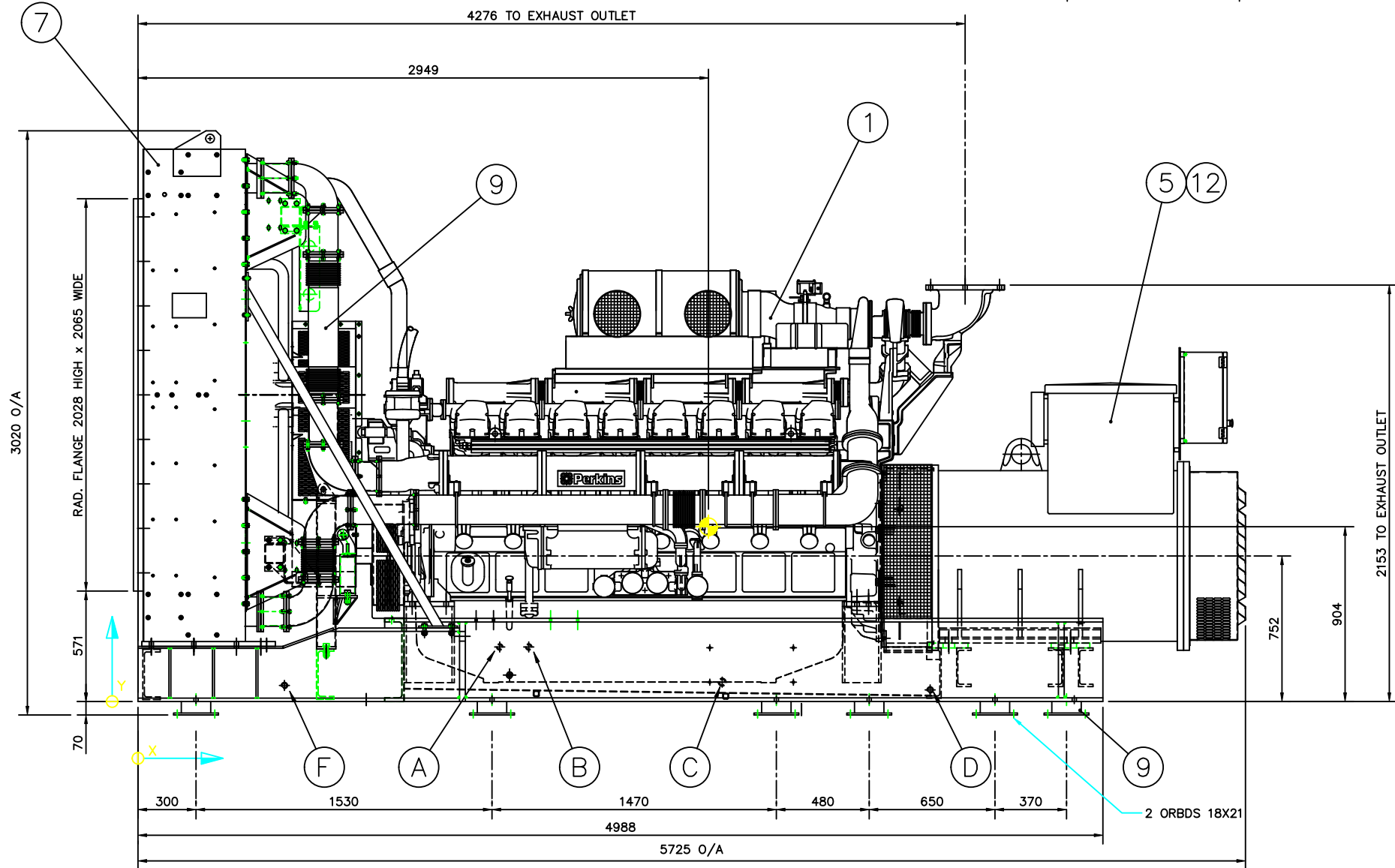
ITEM	QTY.	AUXILIARY CONNECTORS	DIM.X	DIM.Y	DIM.Z
A	1	FUEL SUPPLY 3/4" BSP	1870	282	1715
B	1	FUEL RETURN 3/4" BSP	2020	282	1715
C	1	OIL DRAIN OUTLET 1" BSP	3020	100	1715
D	1	DRIP TRAY OUTLET 3/4" BSP	4095	60	585
E	1	DRIP TRAY OUTLET 3/4" BSP	4095	60	1715
F	1	RADIATOR DRAIN 3/4" BSP	757	83	230
F	1	RADIATOR DRAIN 3/4" BSP	757	83	2070

WEIGHT (kg)	
(WITH OIL)	(WITH OIL & WATER)
15495	15695



ITEM	QTY	DESCRIPTION	DRG./PART NO.
1	1	ENGINE/ALTERNATOR COMBINATION	MGS3864
2	1	SKIDBASE GROUP	MGS4320
3	1	FUEL LINE GROUP	MGS4340
4	1	FUEL COOLER GROUP	MGS4240
5	1	CONTROL PANEL (IF FITTED)	-
6	1	BATTERY GROUP	MGS4217
7	1	RADIATOR PEDESTAL GROUP	MGS4226
8	1	WATER CIRCUIT ASSY GROUP	MGS4232
9	1	CHARGE AIR ASSY GROUP	MGS4430
10	1	BREAKER (IF FITTED)	-
11	1	COUPLING GROUP	MGS4212
12	1	PANEL UPFIT GROUP	MGS4336
13	1	SENDERS GROUP	MGS4312
14	1	EIM ASSY GROUP	MGS2414
15	1	HAZARD LABELS GROUP	MGS4211
16	1	B&W BRAND LABELS GROUP	MGS3425
17	1	FAN & PULLEY GUARD GROUP	MGS4238

* ITEMS NOT SHOWN

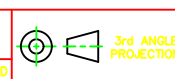


! SPREADER BARS MUST ALWAYS BE USED WHEN LIFTING GENSET !

ISSUE	DESCRIPTION	ECR/DCR	BY	DATE
B	E6/7:- HOLES IN FRONT LIFTING LUGS MOVED FROM 2100 PITCH TO 1675	21195	V.Y.	13/12/02
A	FIRST ISSUE	-	V.Y.	04/07/01

TOLERANCES EXCEPT WHERE OTHERWISE STATED
 0 - 500mm ± 1mm
 500 - 2000mm ± 2mm
 OVER 2000mm ± 3mm
 STRUCTURAL ± 3mm
 ANGULAR ± 1°

DO NOT SCALE
 ALL DIMENSIONS IN MILLIMETRES UNLESS OTHERWISE STATED



DRN. BY V.YOUNG
 DATE 08/03/02
 APPD. BY [Signature]
 DATE 12/02/03

TITLE G.A. OF 4016TAG/1A/2A ENGINE, LEROY LL9124H ALTERNATOR AND COVRAD CRDA0490L1 RAD.
 SHEET SIZE A1
 ORIGINAL SCALE 1:15
 DRAWING NO. MGA5982
 ISSUE B