

# Modular Acoustic Enclosures

24 – 220 kVA Range (CALG HD)



The compact modular design of the 24 – 220 kVA CALG HD enclosures ensure optimum performance in the harshest of environments. Designed on modular principles, they have interchangeable components permitting on-site repair. Lift off doors and access panels provide optimal service and maintenance access.

Extremely durable and robust, the heavy duty enclosures are designed to resist corrosion and handling damage with the ability to withstand rough handling common on many construction sites.

Developed through continuing research and development by our specialist engineers, all FG Wilson enclosures are weather resistant and incorporate internally mounted exhaust silencers.

The sound attenuated CALG HD enclosures reduce sound levels to comply with the stage II levels of the European Community Directive 2000/14/EC, effective from 3 January 2006.

### Excellent Access for Maintenance

- » Side hinged doors on both sides of the enclosure opening to 180°
- » Side hinged doors lift off at 90°
- » Removable front and rear access panels
- » Lube oil and coolant drain valves

### Robust/Highly Corrosion Resistant Construction

- » Galvanised steel protected by powder coat paint
- » Black finish stainless steel locks and hinges
- » Zinc plated / stainless steel fasteners
- » Enhanced baseframe robustness with additional cross bracing
- » Enhanced enclosure door rigidity



### Transportability

- » Lifting points on base frame facilitating handling from both sides
- » Optional single point lift
- » Baseframe extends beyond enclosure offering protection during manovering

### Security and Safety

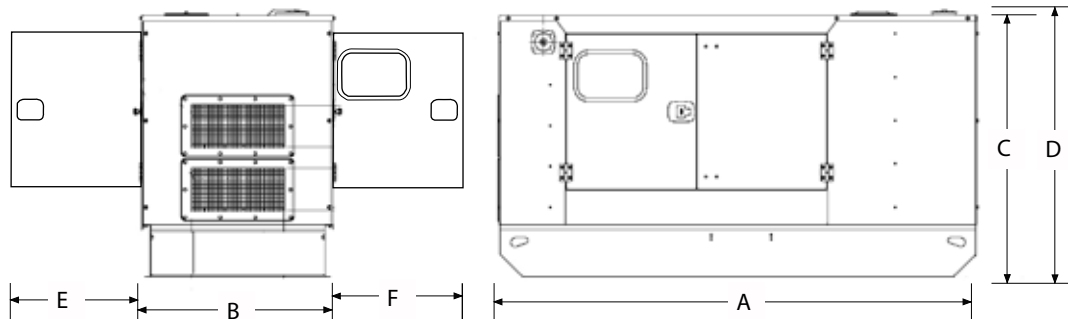
- » Control panel viewing via large viewing window in lockable enclosure door
- » Emergency stop push button mounted on enclosure exterior below control panel
- » Cooling fan and battery charging alternator fully guarded
- » Fuel fill and battery can only be reached via lockable access doors
- » Fully enclosed exhaust silencing system for operator safety

## Sound Pressure Levels (dBA)

| Generator Set Model |         | 50 Hz        |           |             |           |            |           | 60 Hz        |           |             |           |            |           |
|---------------------|---------|--------------|-----------|-------------|-----------|------------|-----------|--------------|-----------|-------------|-----------|------------|-----------|
|                     |         | 15 m (50 ft) |           | 7 m (23 ft) |           | 1 m (3 ft) |           | 15 m (50 ft) |           | 7 m (23 ft) |           | 1 m (3 ft) |           |
|                     |         | 75% Load     | 100% Load | 75% Load    | 100% Load | 75% Load   | 100% Load | 75% Load     | 100% Load | 75% Load    | 100% Load | 75% Load   | 100% Load |
| <b>Single Phase</b> |         |              |           |             |           |            |           |              |           |             |           |            |           |
| P26-3S              | Prime   | 61           | 63        | 67          | 69        | 78         | 80        | 63           | 64        | 69          | 70        | 80         | 82        |
|                     | Standby | 62           | 64        | 68          | 70        | 79         | 81        | 63           | 65        | 69          | 71        | 81         | 82        |
| P26-6S              | Prime   | 61           | 62        | 67          | 68        | 78         | 79        | -            | -         | -           | -         | -          | -         |
|                     | Standby | 61           | 63        | 67          | 69        | 78         | 80        | -            | -         | -           | -         | -          | -         |
| P40-3S              | Prime   | 56           | 57        | 62          | 63        | 73         | 73        | 59           | 60        | 65          | 66        | 76         | 77        |
|                     | Standby | 56           | 58        | 62          | 64        | 73         | 74        | 59           | 61        | 65          | 67        | 76         | 78        |
| P50-5S              | Prime   | 57           | 58        | 63          | 64        | 73         | 75        | 60           | 62        | 66          | 68        | 77         | 79        |
|                     | Standby | 57           | 59        | 63          | 65        | 74         | 75        | 61           | 63        | 67          | 69        | 77         | 80        |
| P55-6S              | Prime   | 58           | 59        | 64          | 65        | 76         | 78        | -            | -         | -           | -         | -          | -         |
|                     | Standby | 59           | 60        | 65          | 66        | 77         | 78        | -            | -         | -           | -         | -          | -         |
| P90-3S              | Prime   | 65           | 66        | 71          | 72        | 82         | 82        | 66           | 67        | 72          | 73        | 82         | 82        |
|                     | Standby | 66           | 66        | 72          | 72        | 82         | 83        | 66           | 67        | 72          | 73        | 82         | 83        |
| P90-6S              | Prime   | 61           | 61        | 67          | 67        | 77         | 77        | -            | -         | -           | -         | -          | -         |
|                     | Standby | 61           | 61        | 67          | 67        | 77         | 77        | -            | -         | -           | -         | -          | -         |

## Dimensions and Weights

| Generator Set Model | A: mm | B: mm | C: mm | D: mm | E*: mm | F*: mm | Weight: kg FGL | Weight: kg LS | Fuel Capacity: l |
|---------------------|-------|-------|-------|-------|--------|--------|----------------|---------------|------------------|
| <b>Single Phase</b> |       |       |       |       |        |        |                |               |                  |
| P26-3S              | 2081  | 1019  | 1403  | -     | 800    | 1000   | 956            | 956           | 125              |
| P26-6S              | 2081  | 1019  | 1403  | -     | 800    | 1000   | 956            | 956           | 125              |
| P40-3S              | 2291  | 1026  | 1426  | -     | 800    | 1000   | 994            | 994           | 145              |
| P50-5S              | 2291  | 1026  | 1426  | -     | 800    | 1000   | 1102           | 1102          | 145              |
| P55-6S              | 2291  | 1026  | 1426  | -     | 800    | 1000   | 1142           | 1142          | 145              |
| P90-3S              | 2761  | 1126  | 1535  | -     | 800    | 1000   | 1428           | 1398          | 212              |
| P90-6S              | 2761  | 1126  | 1535  | -     | 800    | 1000   | 1460           | 1430          | 212              |



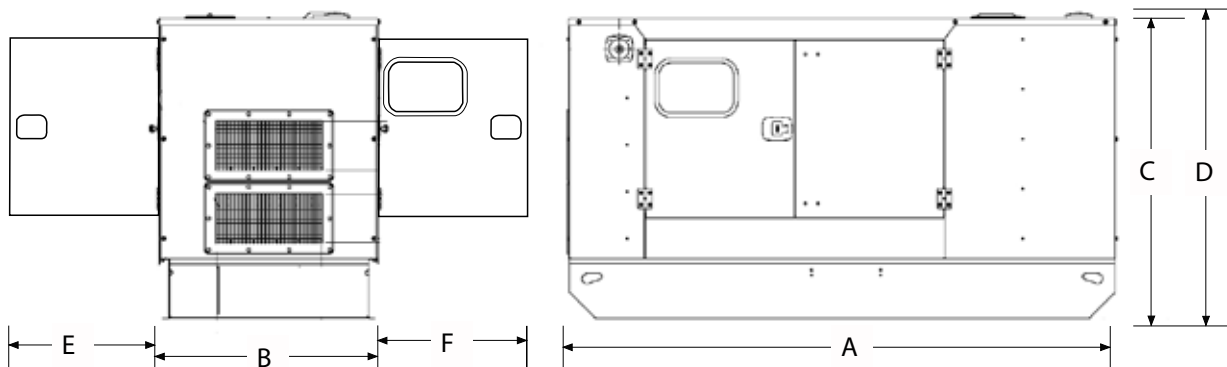
\*Clearance required both sides; Weight with lube oil, no coolant, no fuel.

## Sound Pressure Levels (dBA)

| Generator Set Model |         | 50 Hz        |           |             |           |            |           | 60 Hz        |           |             |           |            |           |
|---------------------|---------|--------------|-----------|-------------|-----------|------------|-----------|--------------|-----------|-------------|-----------|------------|-----------|
|                     |         | 15 m (50 ft) |           | 7 m (23 ft) |           | 1 m (3 ft) |           | 15 m (50 ft) |           | 7 m (23 ft) |           | 1 m (3 ft) |           |
|                     |         | 75% Load     | 100% Load | 75% Load    | 100% Load | 75% Load   | 100% Load | 75% Load     | 100% Load | 75% Load    | 100% Load | 75% Load   | 100% Load |
| <b>Three Phase</b>  |         |              |           |             |           |            |           |              |           |             |           |            |           |
| P33-3               | Prime   | 61           | 63        | 67          | 69        | 78         | 80        | 63           | 64        | 69          | 70        | 80         | 82        |
|                     | Standby | 62           | 64        | 68          | 70        | 79         | 81        | 63           | 65        | 69          | 71        | 81         | 82        |
| P33-6               | Prime   | 61           | 62        | 67          | 68        | 78         | 79        | –            | –         | –           | –         | –          | –         |
|                     | Standby | 61           | 63        | 67          | 69        | 78         | 80        | –            | –         | –           | –         | –          | –         |
| P50-3               | Prime   | 56           | 57        | 62          | 63        | 73         | 73        | 59           | 60        | 65          | 66        | 76         | 77        |
|                     | Standby | 56           | 58        | 62          | 64        | 73         | 74        | 59           | 61        | 65          | 67        | 76         | 78        |
| P55-3               | Prime   | 56           | 58        | 62          | 64        | 73         | 74        | 59           | 61        | 65          | 67        | 76         | 78        |
|                     | Standby | 57           | 58        | 63          | 64        | 73         | 75        | 60           | 62        | 66          | 68        | 77         | 79        |
| P65-5               | Prime   | 57           | 59        | 63          | 65        | 73         | 75        | 61           | 63        | 67          | 69        | 77         | 80        |
|                     | Standby | 57           | 59        | 63          | 65        | 74         | 76        | 61           | 64        | 67          | 70        | 78         | 81        |
| P65-6               | Prime   | 58           | 59        | 64          | 65        | 76         | 77        | –            | –         | –           | –         | –          | –         |
|                     | Standby | 58           | 60        | 64          | 66        | 76         | 78        | –            | –         | –           | –         | –          | –         |
| P88-3               | Prime   | 59           | 61        | 65          | 67        | 77         | 79        | 61           | 62        | 67          | 68        | 78         | 80        |
|                     | Standby | 60           | 62        | 66          | 68        | 78         | 80        | 61           | 63        | 67          | 69        | 79         | 81        |
| P88-6               | Prime   | 60           | 61        | 66          | 67        | 76         | 77        | –            | –         | –           | –         | –          | –         |
|                     | Standby | 60           | 61        | 66          | 67        | 77         | 77        | –            | –         | –           | –         | –          | –         |
| P110-3              | Prime   | 65           | 66        | 71          | 72        | 81         | 82        | 66           | 67        | 72          | 73        | 81         | 81        |
|                     | Standby | 66           | 66        | 72          | 72        | 81         | 82        | 66           | 67        | 72          | 73        | 81         | 82        |
| P110-6              | Prime   | 61           | 61        | 67          | 67        | 77         | 77        | –            | –         | –           | –         | –          | –         |
|                     | Standby | 61           | 61        | 67          | 67        | 77         | 77        | –            | –         | –           | –         | –          | –         |
| P150-5              | Prime   | 60           | 61        | 66          | 67        | 76         | 78        | 61           | 62        | 67          | 68        | 79         | 79        |
|                     | Standby | 60           | 61        | 66          | 67        | 77         | 78        | 61           | 62        | 67          | 68        | 79         | 79        |
| P165-5              | Prime   | 62           | 63        | 68          | 69        | 79         | 80        | 65           | 65        | 71          | 71        | 82         | 82        |
|                     | Standby | 62           | 63        | 68          | 69        | 79         | 80        | 65           | 65        | 71          | 71        | 82         | 82        |
| P165-6              | Prime   | 62           | 62        | 68          | 68        | 78         | 79        | –            | –         | –           | –         | –          | –         |
|                     | Standby | 62           | 63        | 68          | 69        | 78         | 79        | –            | –         | –           | –         | –          | –         |
| P175-2              | Prime   | 62           | 63        | 68          | 69        | 78         | 79        | –            | –         | –           | –         | –          | –         |
|                     | Standby | 63           | 63        | 69          | 69        | 79         | 79        | –            | –         | –           | –         | –          | –         |
| P200-3              | Prime   | 66           | 66        | 72          | 72        | 83         | 83        | 69           | 69        | 75          | 75        | 84         | 85        |
|                     | Standby | 66           | 66        | 72          | 72        | 83         | 83        | 69           | 69        | 75          | 75        | 84         | 85        |
| P200-6              | Prime   | 62           | 63        | 68          | 69        | 79         | 80        | –            | –         | –           | –         | –          | –         |
|                     | Standby | 62           | 63        | 68          | 69        | 79         | 80        | –            | –         | –           | –         | –          | –         |
| P220-3              | Prime   | 66           | 66        | 72          | 72        | 83         | 83        | –            | –         | –           | –         | –          | –         |
|                     | Standby | 66           | 67        | 72          | 73        | 83         | 83        | –            | –         | –           | –         | –          | –         |

## Dimensions and Weights

| Generator Set Model | A: mm | B: mm | C: mm | D: mm | E*: mm | F*: mm | Weight: kg FGL | Weight: kg LS | Fuel Capacity: l |
|---------------------|-------|-------|-------|-------|--------|--------|----------------|---------------|------------------|
| <b>Three Phase</b>  |       |       |       |       |        |        |                |               |                  |
| P33-3               | 2081  | 1019  | 1403  | –     | 880    | –      | 956            | 956           | 125              |
| P33-6               | 2081  | 1019  | 1403  | –     | 880    | –      | 956            | 956           | 125              |
| P50-3               | 2291  | 1026  | 1426  | –     | 800    | 1000   | 979            | 978           | 145              |
| P55-3               | 2291  | 1026  | 1426  | –     | 800    | 1000   | 984            | 983           | 145              |
| P65-5               | 2291  | 1026  | 1426  | –     | 800    | 1000   | 993            | 994           | 145              |
| P65-6               | 2291  | 1026  | 1426  | –     | 800    | 1000   | 1033           | 1034          | 145              |
| P88-3               | 2291  | 1126  | 1527  | –     | 1000   | –      | 1144           | 1177          | 188              |
| P88-6               | 2761  | 1126  | 1535  | –     | 1000   | –      | 1343           | 1361          | 212              |
| P110-3              | 2761  | 1126  | 1535  | –     | 1000   | –      | 1296           | 1332          | 212              |
| P110-6              | 2761  | 1126  | 1535  | –     | 1000   | –      | 1356           | 1402          | 212              |
| P150-5              | 3515  | 1126  | 1681  | –     | 1015   | –      | 1667           | 1697          | 289              |
| P165-5              | 3515  | 1126  | 1681  | –     | 1015   | –      | 1760           | 1975          | 289              |
| P165-6              | 3515  | 1126  | 1681  | –     | 1015   | –      | 1805           | 1840          | 289              |
| P175-2              | 3515  | 1126  | 1681  | –     | 1015   | –      | 1840           | 1978          | 289              |
| P200-3              | 3515  | 1326  | 1681  | –     | 1015   | –      | 2058           | 2084          | 384              |
| P200-6              | 3515  | 1326  | 1681  | –     | 1015   | –      | 2103           | 2113          | 384              |
| P220-3              | 3515  | 1326  | 1681  | –     | 1015   | –      | 2043           | 2124          | 384              |



\*Clearance required both sides; Weight with lube oil, no coolant, no fuel.

## Dealer Contact Details

**STUART  
GROUP LTD**

T: 01953 454540 F: 01953 456968  
E: enquiries@stuartgroup.info  
W: www.stuartgroup.ltd.uk

Stuart House, Hargham Road, Shropham, Norfolk, NR17 1DT

### FG Wilson manufactures product in the following locations:

Northern Ireland • Brazil • China • India

With headquarters in Northern Ireland, FG Wilson operates through a Global Dealer Network.

To contact your local Sales Office please visit the FG Wilson website at [www.FGWilson.com](http://www.FGWilson.com).

FG Wilson is a trading name of Caterpillar (NI) Limited.

In line with our policy of continuous product development, we reserve the right to change specification without notice.

24-220kVA-HD-Enclosure/0620/GB