

## Low Voltage Alternators - 4 pole

**LL 7000 - LEAN I6**

Installation and maintenance

# LL 7000

## Low Voltage Alternators - 4 pole

This manual concerns the alternator which you have just purchased.  
We wish to draw your attention to the contents of this maintenance manual.

### SAFETY MEASURES

Before using your machine for the first time, it is important to read the whole of this installation and maintenance manual.

All necessary operations and interventions on this machine must be performed by a qualified technician.

Our technical support service will be pleased to provide any additional information you may require.

The various operations described in this manual are accompanied by recommendations or symbols to alert the user to the potential risk of accidents. It is vital that you understand and take notice of the different warning symbols used.

#### WARNING

Warning symbol for an operation capable of damaging or destroying the machine or surrounding equipment.



Warning symbol for general danger to personnel.



Warning symbol for electrical danger to personnel.

### WARNING SYMBOLS

We wish to draw your attention to the following 2 safety measures which must be complied with:

a) During operation, do not allow anyone to stand in front of the air outlet guards, in case anything is ejected from them.

b) Do not allow children younger than 14 to go near the air outlet guards.

A set of self-adhesive stickers depicting the various warning symbols is included with this maintenance manual. They should be positioned as shown in the drawing below once the machine has been fully installed.

### WARNING

The alternators must not be put into service until the machines in which they are to be incorporated have been declared compliant with Directives EC and plus any other directives that may be applicable.

This manual is to be given to the end user.

The range of electric alternators and their derivatives, manufactured by us or on our behalf, comply with the technical requirements of the customs Union directives (EAC).

© - We reserve the right to modify the characteristics of its products at any time in order to incorporate the latest technological developments. The information contained in this document may therefore be changed without notice.

This document may not be reproduced in any form without prior authorization.

All brands and models have been registered and patents applied for.

# LL 7000

## Low Voltage Alternators - 4 pole

### CONTENTS

<b>1 - RECEIPT .....</b>	<b>4</b>
1.1 - Standards and safety measures .....	4
1.2 - Inspection .....	4
1.3 - Identification .....	4
1.4 - Storage .....	4
1.5 - Applications .....	4
1.6 - Contraindications to use .....	4
 <b>2 - TECHNICAL CHARACTERISTICS .....</b>	 <b>5</b>
2.1 - Electrical characteristics .....	5
2.2 - Mechanical characteristics .....	5
 <b>3 - INSTALLATION .....</b>	 <b>6</b>
3.1 - Assembly .....	6
3.2 - Checks prior to first use .....	6
3.3 - Terminal connection diagrams .....	7
3.4 - Commissioning .....	10
3.5 - Setting up .....	10
 <b>4 - SERVICING - MAINTENANCE .....</b>	 <b>11</b>
4.1 - Safety measures .....	11
4.2 - Routine maintenance .....	11
4.3 - Bearings .....	12
4.4 - Mechanical defects .....	12
4.5 - Electrical faults .....	13
4.6 - Dismantling, reassembly .....	15
4.7 - Installation & maintenance of the PMG .....	17
4.8 - Table of characteristics .....	17-18
 <b>5 - SPARE PARTS .....</b>	 <b>19</b>
5.1 - First maintenance parts .....	19
5.2 - Technical support service .....	19
5.3 - Accessories .....	19
5.4 - Exploded views, parts list and tightening torque .....	20

**Disposal and recycling instructions**

**EC declaration of incorporation**

# LL 7000

## Low Voltage Alternators - 4 pole

### 1 - RECEIPT

#### 1.1 - Standards and safety measures

Our alternators comply with most international standards.

See the EC Declaration of Incorporation on the last page.

#### 1.2 - Inspection

On receipt of your alternator, check that it has not suffered any damage in transit. If there are obvious signs of knocks, contact the transporter (you may be able to claim on their insurance) and after a visual check, turn the machine by hand to detect any malfunction.

#### 1.3 - Identification

The alternator is identified by means of a nameplate fixed on the machine (see drawing).

Make sure that the nameplate on the machine conforms to your order.

So that you can identify your alternator quickly and accurately, we suggest you fill in its specifications on the nameplate below.

#### 1.4 - Storage

Prior to commissioning, machines should be stored :


- away from humidity (< 90%); after a long period of storage, check the machine insulation. To prevent the bearings from becoming marked, do not store in an environment with significant vibration.

#### 1.5 - Application

These alternators are mainly designed to produce electricity in the context of applications involving the use of generators.

#### 1.6 - Contraindications to use

Use of the machine is restricted to operating conditions (environment, speed, voltage, power, etc) compatible with the characteristics indicated on the nameplate.

<b>A.C. SYNCHRONOUS GENERATOR</b>		
	ISO 8528-3	IEC 60034-1 & 5
NEMA MG1-32 & 33		
ref : LSA 000-1-009a		

# LL 7000

## Low Voltage Alternators - 4 pole

### 2 - TECHNICAL CHARACTERISTICS

#### 2.1 - Electrical characteristics

This alternator is a machine without sliprings or revolving field brushes, wound as "2/3 pitch"; 6 or 12-wire, with class H insulation and a field excitation system available in either AREP or SHUNT+PMG version (see diagrams and AVR maintenance manual).

##### • Electrical options

- Stator temperature detection sensors
  - Space heaters
  - Terminal box with connector links for mounting protection or measurement C.T.
- In order to conform to standard EN 61000-6-3, EN 61000-6-2, EN 55011, the R 791 interference suppression kit is needed.

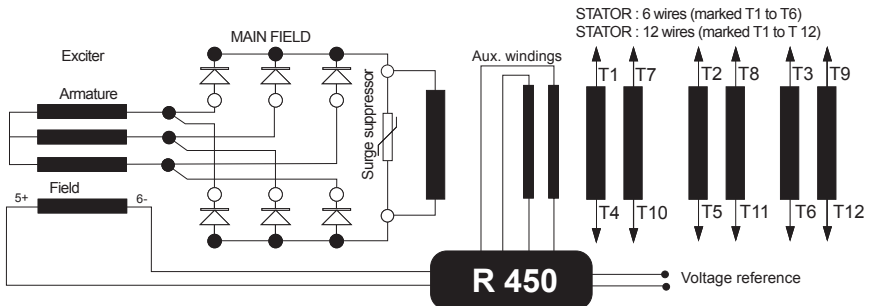
#### 2.2 - Mechanical characteristics

- Steel frame
- Cast iron end shields
- Greasable ball bearings
- Mounting arrangement  
IM 1201 (MD 35): Single-bearing with feet and SAE flanges/coupling discs  
IM 1001 (B 34): Twin-bearing with SAE flange and standard cylindrical shaft extension
- Drip-proof machine, self-cooled
- Degree of protection: IP 23

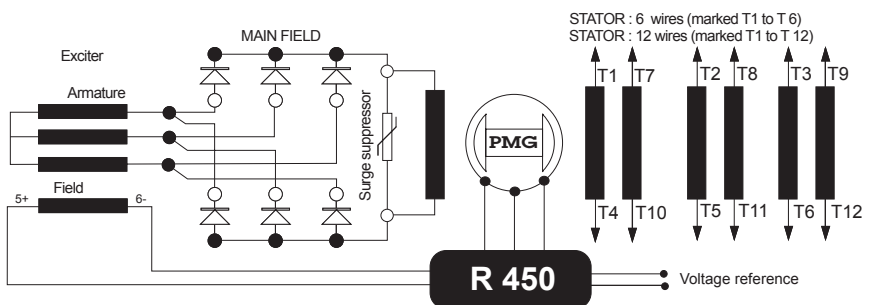
##### • Mechanical options

- Protection against harsh environments
- Bearing temperature detection sensors.

#### AREP system with R 450



#### SHUNT + PMG system with R 450



# LL 7000

## Low Voltage Alternators - 4 pole

### 3 - INSTALLATION

Personnel undertaking the various operations indicated in this section must wear personal protective equipment appropriate for mechanical and electrical hazards.

#### 3.1 - Assembly

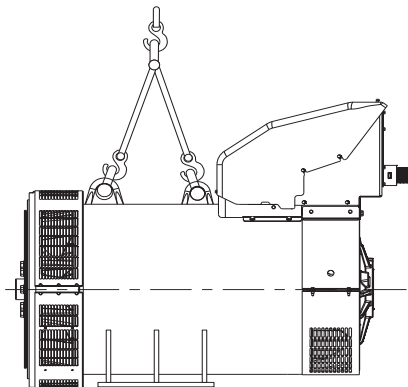


All mechanical handling operations must be undertaken using suitable equipment and the machine must be horizontal. Check how much the machine weighs (see 4.8) before choosing the lifting tool. During this operation, do not allow anyone to stand under the load.

##### • Handling

The generously-sized lifting rings are for handling the alternator alone. They must not be used to lift the genset. The choice of lifting hooks or handles should be determined by the shape of these rings. Choose a lifting system which respects the integrity and the environment of the machine.

During this operation, do not allow anyone to stand under the load.



##### • Single-bearing coupling

Before coupling, check the compatibility between the alternator and the engine by performing:

- undertaking a torsional analysis of the transmission (alternators data are available on request),
- checking the dimensions of the flywheel and its housing, the flange, coupling discs and offset.

#### WARNING

When coupling the alternator to the prime mover, do not use the fan to turn the alternator or rotor.

The holes of the coupling discs should be aligned with the flywheel holes by cranking the engine.

Make sure the machine is securely bedded in position during coupling.

Check that there is lateral play on the crankshaft.

##### • Double-bearing coupling

###### - Semi-flexible coupling

Careful alignment of the machines is recommended, checking that the lack of concentricity and parallelism of both parts of the coupling do not exceed 0.1 mm.

**This alternator has been balanced with a 1/2 key.**

##### • Location

The room where the alternator is placed must be ventilated to ensure that the ambient temperature cannot exceed the data on the nameplate.

#### 3.2 - Checks prior to first use

##### • Electrical checks



Under no circumstances should an alternator, new or otherwise, be operated if the insulation is less than 1 megohm for the stator and 100,000 ohms for the other windings.

# LL 7000

## Low Voltage Alternators - 4 pole

There are 2 possible methods for restoring the above minimum values.

a) Dry out the machine for 24 hours in a drying oven at a temperature of 110 °C (without the regulator).

b) Blow hot air into the air intake, having made sure that the machine is rotating with the exciter field disconnected.

### **Note : Prolonged standstill**

In order to avoid these problems, we recommend the use of space heaters, as well as turning over the machine from time to time. Space heaters are only really effective if they are working continuously while the machine is stopped.

### **WARNING**

**Ensure that the alternator has the degree of protection matching the defined environmental conditions.**

#### **• Mechanical checks**

Before starting the machine for the first time, check that:

- all fixing screws are tight,
- the length of screw and the tightening torque are correct,
- the cooling air is drawn in freely,
- the protective grilles and housing are correctly in place,
- the standard direction of rotation is clockwise as seen from the shaft end (phase rotation in order 1 - 2 - 3).

For anti-clockwise rotation, swap 2 and 3.

- the winding connection corresponds to the site operating voltage (see section 3.3).

### **3.3 - Terminal connection diagrams**

To modify the connection, change the position of the stator cables on the terminals. The winding code is specified on the nameplate.



**Any intervention on the alternator terminals during reconnection or checks should be performed with the machine stopped.**

**In no case should the internal connections in the terminal box be subjected to stresses due to cables connected by the user.**

# LL 7000

## Low Voltage Alternators - 4 pole

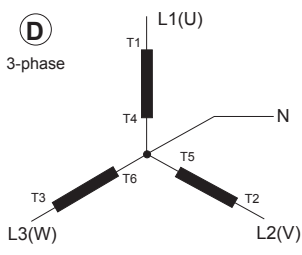
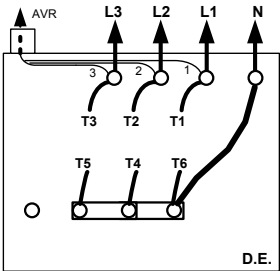
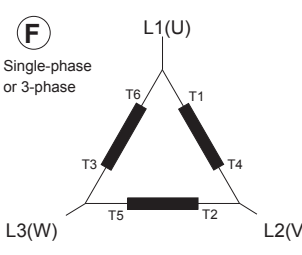
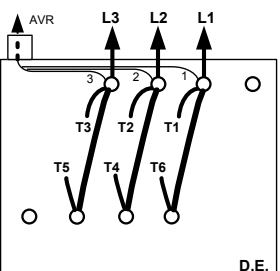
• Terminal connection : 12-wire

Connection codes	Voltage L.L			Factory connection
<p><b>(A)</b></p> <p>3-phase</p>	Winding	50 Hz	60 Hz	
	6	190 - 208	190 - 240	
<p><b>⚠</b> R 450 voltage sensing:                  U =&gt; T1 (1)                  V =&gt; T2 (2)                  W =&gt; T3 (3)</p>				
<p><b>(D)</b></p> <p>3-phase</p>	Winding	50 Hz	60 Hz	
	6	380 - 415	380 - 480	
<p><b>⚠</b> R 450 voltage sensing:                  U =&gt; T1 (1)                  V =&gt; T2 (2)                  W =&gt; T3 (3)</p>				
<p><b>(F)</b></p> <p>Single-phase or 3-phase</p>	Winding	50 Hz	60 Hz	
	6	220 - 240	220 - 240	
<p><b>⚠</b> R 450 voltage sensing:                  U =&gt; T1 (1)                  V =&gt; T2 (2)                  W =&gt; T3 (3)</p>				

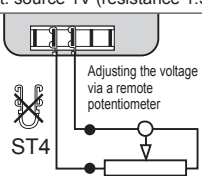
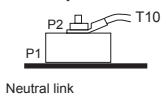
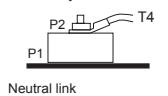
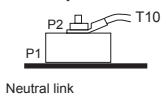
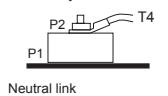
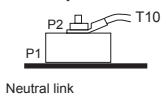
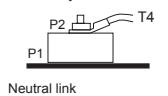
# LL 7000

## Low Voltage Alternators - 4 pole

**• Terminal connection : 6-wire version**

Connection codes	Voltage L.L			Factory connection
<p><b>(D)</b></p> <p>3-phase</p> 	Winding	50 Hz	60 Hz	 <p style="text-align: right;"><b>D.E.</b></p>
	6S	380 - 415	380 - 480	
<p><b>⚠</b> R 450 voltage sensing:</p> <p>U =&gt; T1 (1)</p> <p>V =&gt; T2 (2)</p> <p>W =&gt; T3 (3)</p>				
<p><b>(F)</b></p> <p>Single-phase or 3-phase</p> 	Winding	50 Hz	60 Hz	 <p style="text-align: right;"><b>D.E.</b></p>
	6S	220 - 240	220 - 277	
<p><b>⚠</b> R 450 voltage sensing:</p> <p>U =&gt; T1 (1)</p> <p>V =&gt; T2 (2)</p> <p>W =&gt; T3 (3)</p>				

**• Option connection diagram**

<p>R 791 T interference suppression kit (standard for CE marking)</p>	<p>External voltage potentiometer or ext. source 1V (resistance 1.5 KΩ)</p>	<p>Connection of the optional current transformer</p>																																
<p>Connections</p> <table border="1" style="width: 100%; border-collapse: collapse;"> <thead> <tr> <th></th> <th style="text-align: center;">(A)</th> <th style="text-align: center;">(C)</th> <th style="text-align: center;">(D)</th> <th style="text-align: center;">(F)</th> </tr> </thead> <tbody> <tr> <td>Black</td> <td style="text-align: center;">T1</td> <td style="text-align: center;">T1</td> <td style="text-align: center;">T1</td> <td style="text-align: center;">T1</td> </tr> <tr> <td>Black</td> <td style="text-align: center;">T2</td> <td style="text-align: center;">T2</td> <td style="text-align: center;">T2</td> <td style="text-align: center;">T2</td> </tr> <tr> <td>Black</td> <td style="text-align: center;">T3</td> <td style="text-align: center;">T3</td> <td style="text-align: center;">T3</td> <td style="text-align: center;">T3</td> </tr> <tr> <td>Blue</td> <td style="text-align: center;">N</td> <td style="text-align: center;">N</td> <td style="text-align: center;">N</td> <td style="text-align: center;">N</td> </tr> <tr> <td>White</td> <td style="text-align: center;">⏏</td> <td style="text-align: center;">⏏</td> <td style="text-align: center;">⏏</td> <td style="text-align: center;">⏏</td> </tr> </tbody> </table>		(A)	(C)	(D)	(F)	Black	T1	T1	T1	T1	Black	T2	T2	T2	T2	Black	T3	T3	T3	T3	Blue	N	N	N	N	White	⏏	⏏	⏏	⏏	 <p style="text-align: center;">Adjusting the voltage via a remote potentiometer</p> <p style="text-align: center;"><b>ST4</b></p>	<table border="1" style="width: 100%; border-collapse: collapse;"> <tr> <td style="width: 50%; padding: 5px;"> <p>A / D connection In/2 (D conn.) <b>12-wire</b> Secondary 1 A</p>  <p style="text-align: center;">Neutral link</p> </td> <td style="width: 50%; padding: 5px;"> <p>D connection In/4 (D conn.) <b>6-wire</b> Secondary 1 A</p>  <p style="text-align: center;">Neutral link</p> </td> </tr> </table>	<p>A / D connection In/2 (D conn.) <b>12-wire</b> Secondary 1 A</p>  <p style="text-align: center;">Neutral link</p>	<p>D connection In/4 (D conn.) <b>6-wire</b> Secondary 1 A</p>  <p style="text-align: center;">Neutral link</p>
	(A)	(C)	(D)	(F)																														
Black	T1	T1	T1	T1																														
Black	T2	T2	T2	T2																														
Black	T3	T3	T3	T3																														
Blue	N	N	N	N																														
White	⏏	⏏	⏏	⏏																														
<p>A / D connection In/2 (D conn.) <b>12-wire</b> Secondary 1 A</p>  <p style="text-align: center;">Neutral link</p>	<p>D connection In/4 (D conn.) <b>6-wire</b> Secondary 1 A</p>  <p style="text-align: center;">Neutral link</p>																																	

# LL 7000

## Low Voltage Alternators - 4 pole

### • Connection checks



**Electrical installations must comply with the current legislation in force in the country of use.**

Check that:

- The residual circuit-breaker conforms to legislation on protection of personnel, in force in the country of use, and has been correctly installed on the alternator power output as close as possible to the alternator. (In this case, disconnect the wire of the interference suppression module linking the neutral).
- Any protection devices in place have not been tripped.
- If there is an external AVR, the connections between the alternator and the cabinet are made in accordance with the connection diagram.
- There is no short-circuit phase-phase or phase-neutral between the alternator output terminals and the generator set control cabinet (part of the circuit not protected by circuitbreakers or relays in the cabinet).
- The machine should be connected with the busbar separating the terminals as shown in the terminal connection diagram.



- The alternator earth terminal inside the terminal box is connected to the electrical earth circuit
  - The earth terminal (ref 28) is connected to the frame.
- The connections inside the terminal box must never be subjected to stress due to cables connected by the user.



### 3.4 - Commissioning



**The machine can only be started up and used if the installation is in accordance with the regulations and instructions defined in this manual.**

The machine is tested and set up at the factory. When first used with no load, make sure that the drive speed is correct and stable (see the nameplate). We recommend greasing the bearings at the time of commissioning (see section 4.3).

On application of the load, the machine should achieve its rated speed and voltage; however, in the event of abnormal operation, the machine setting can be altered (follow the adjustment procedure in section 3.5). If the machine still operates incorrectly, the cause of the malfunction must be located (see section 4.5).

### 3.5 - Setting up



**The various adjustments during tests must be made by a qualified engineer.**

**Ensure that the drive speed specified on the nameplate is reached before commencing adjustment.**

**After operational testing, replace all access panels or covers.**

**The AVR is used to make any adjustments to the machine.**

# LL 7000

## Low Voltage Alternators - 4 pole

### 4 - SERVICING - MAINTENANCE

#### 4.1 - Safety measures

Servicing or troubleshooting must be carried out strictly in accordance with instructions so as to avoid the risk of accidents and to maintain the machine in its original state.



All such operations performed on the alternator should be undertaken by personnel trained in the commissioning, servicing and maintenance of electrical and mechanical components, who must wear personal protective equipment appropriate for mechanical and electrical hazards.

Before any intervention on the machine, ensure that it cannot be started by a manual or automatic system and that you have understood the operating principles of the system.



**Warning :** During and after running, the alternator will reach temperatures hot enough to cause injury, such as burns.

#### 4.2 - Routine maintenance

##### • Checks after start-up

After approximately 20 hours of operation, check that all fixing screws on the machine are still tight, plus the general state of the machine and the various electrical connections in the installation.

##### • Electrical servicing

Commercially-available volatile degreasing agents can be used.

### WARNING

Do not use: trichlorethylene, perchlorethylene, trichloroethane or any alkaline products.



These operations must be performed at a cleaning station, equipped with a vacuum system that collects and flushes out the products used.

The insulating components and the impregnation system are not at risk of damage from solvents. Avoid letting the cleaning product run into the slots.

Apply the product with a brush, sponging frequently to avoid accumulation in the housing. Dry the winding with a dry cloth. Let any traces evaporate before reassembling the machine.

##### • Mechanical servicing

### WARNING

**Cleaning the machine using water or a highpressure washer is strictly prohibited. Any problems arising from such treatment are not covered by our warranty.**

Degreasing: Use a brush and detergent (suitable for paintwork).

Dusting: Use an air gun.


If the machine is fitted with air inlet and outlet filters, the maintenance personnel should clean them routinely at regular intervals. In the case of dry dust, the filter can be cleaned using compressed air and/or replaced if it is clogged.

After cleaning the alternator, it is essential to check the winding insulation (see sections 3.2 and 4.5).

# LL 7000

## Low Voltage Alternators - 4 pole

### 4.3 - Bearings

As an option, the bearings are regreasable	Regreasing interval: 4500 hrs of operation DE bearing: Amount of grease: 60 gr NDE bearing: Amount of grease: 50 gr
Standard grease	LITHIUM - standard - NLGI 3
Grease used in the factory	ESSO - Unirex N3
 It is imperative to lubricate the alternator during operation and on first use. Before using another grease, check for compatibility with the original one.	

### 4.4 - Mechanical defects

Fault		Action
Bearing	Excessive overheating of one or both bearings (bearing temperature 80°C above the ambient temperature)	<ul style="list-style-type: none"> <li>- If the bearing has turned blue or if the grease has turned black, change the bearing.</li> <li>- Bearing not fully locked (abnormal play in the bearing cage)</li> <li>- End shields incorrectly aligned</li> </ul>
Abnormal temperature	Excessive overheating of alternator frame (more than 40° C above the ambient temperature)	<ul style="list-style-type: none"> <li>- Air flow (inlet-outlet) partially clogged or hot air is being recycled from the alternator or engine</li> <li>- Alternator operating at too high a voltage (&gt;105% of Un on load)</li> <li>- Alternator overloaded</li> </ul>
Vibrations	Too much vibration	<ul style="list-style-type: none"> <li>- Misalignment (coupling)</li> <li>- Defective mounting or play in coupling</li> <li>- Rotor balancing fault (Engine - Alternator)</li> </ul>
	Excessive vibration and humming noise coming from the machine	<ul style="list-style-type: none"> <li>- Phase imbalance</li> <li>- Stator short-circuit</li> </ul>
Abnormal noise	Alternator damaged by a significant impact, followed by humming and vibration	<ul style="list-style-type: none"> <li>- System short-circuit</li> <li>- Misparalleling</li> </ul> <p>Possible consequences</p> <ul style="list-style-type: none"> <li>- Broken or damaged coupling</li> <li>- Broken or bent shaft end</li> <li>- Shifting and short-circuit of main field</li> <li>- Fan fractured or coming loose on shaft</li> <li>- Irreparable damage to rotating diodes/AVR, surge suppressor</li> </ul>

# LL 7000

## Low Voltage Alternators - 4 pole

### 4.5 - Electrical faults

Fault	Action	Effect	Check/Cause
No voltage at no load on start-up	Connect a new battery of 4 to 12 volts to terminals E- and E+, respecting the polarity, for 2 to 3 seconds	The alternator builds up and its voltage is still correct when the battery is removed.	- Lack of residual magnetism
		The alternator builds up but its voltage does not reach the rated value when the battery is removed.	- Check the connection of the voltage reference to the AVR - Faulty diodes - Armature short-circuit
		The alternator builds up but its voltage disappears when the battery is removed	- Faulty AVR - Field windings disconnected - Main field winding open circuit - check the resistance
Voltage too low	Check the drive speed	Correct speed	Check the AVR connections (AVR may be faulty) - Field windings short-circuited - Rotating diodes burnt out - Main field winding short-circuited - Check the resistance
		Speed too low	Increase the drive speed (Do not touch the AVR voltage pot. (P2) before running at the correct speed.)
Voltage too high	Adjust AVR voltage potentiometer	Adjustment ineffective	- Faulty AVR - 1 faulty diode
Voltage oscillations	Adjust AVR stability potentiometer	If no effect : try normal / fast recovery modes (ST2)	- Check the speed : possibility of cyclic irregularity - Loose connections - Faulty AVR - Speed too low when on load (or LAM set too high)
Voltage correct at no load and too low when on load	Run at no load and check the voltage between E+ and E- on the AVR	Voltage between E+ and E- AREP / PMG < 10V	- Check the speed (or LAM set too high)
		Voltage between E+ and E- AREP / PMG > 15V	- Faulty rotating diodes - Short-circuit in the main field. Check the resistance - Faulty exciter armature.
Voltage disappears during operation	Check the AVR, the surge suppressor, the rotating diodes, and replace any defective components	The voltage does not return to the rated value.	- Exciter winding open circuit - Faulty exciter armature - Faulty AVR - Main field open circuit or short-circuited

# LL 7000

## Low Voltage Alternators - 4 pole

### • Checking the winding

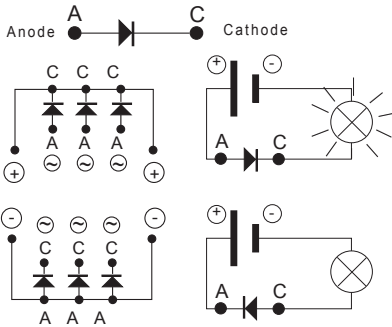
You can check the winding insulation by performing a high voltage test. In this case, you must disconnect all AVR wires.

### WARNING

Damage caused to the AVR in such conditions is not covered by our warranty.

### • Checking the diode bridge

A diode in good working order should allow the current to flow only in the anode-to-cathode direction.



### • Checking the windings and rotating diodes using separate excitation

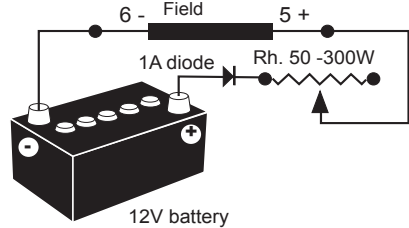


During this procedure, make sure that the alternator is disconnected from any external load and inspect the terminal box to check that the connections are fully tightened.

- 1) Stop the unit, disconnect and isolate the AVR wires.
- 2) There are two ways of creating an assembly with separate excitation.

**Assembly A:** Connect a 12 V battery in series with a rheostat of approximately 50 ohms - 300 W and a diode on both exciter field wires (5+) and (6-).

ASSEMBLY A

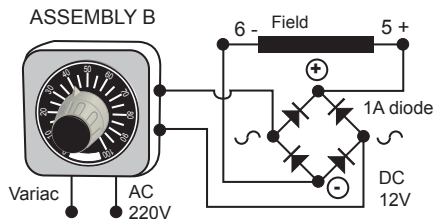


**Assembly B:** Connect a "Variac" variable power supply and a diode bridge on both exciter field wires (5+) and (6-).

Both these systems should have characteristics which are compatible with the field excitation power of the machine (see the nameplate).

3) Run the unit at its rated speed.

4) Gradually increase the exciter current by adjusting the rheostat or the variac and measure the output voltages on L1 - L2 - L3, checking the excitation voltage and current at no load (see the machine nameplate or ask for the factory test report). When the output voltage is at its rated value and balanced within 1% of the rated excitation level, the machine is in good working order. The fault therefore comes from the AVR or its associated wiring (ie. sensing, auxiliary windings).



# LL 7000

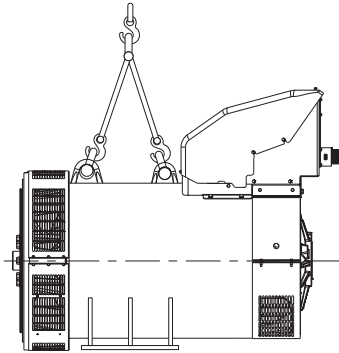
## Low Voltage Alternators - 4 pole

### 4.6 - Dismantling, reassembly

#### WARNING

During the warranty period, this operation should only be carried out in an approved workshop or in our factory, otherwise the warranty may be invalidated.

Whilst being handled, the machine should remain horizontal (rotor not locked in position). Check how much the machine weighs before choosing the lifting method.



#### • Tools required

To fully dismantle the machine, we recommend using the tools listed below:

- 1 ratchet spanner + extension
- 1 torque wrench
- 1 set of flat spanners: 8 mm, 10 mm, 18 mm
- 1 socket set: 8, 10, 13, 16, 18, 21, 24, 30 mm
- 1 puller (U35) / (U32/350)

#### • Screw tightening torque

See section 5.4.

#### • Access to diodes

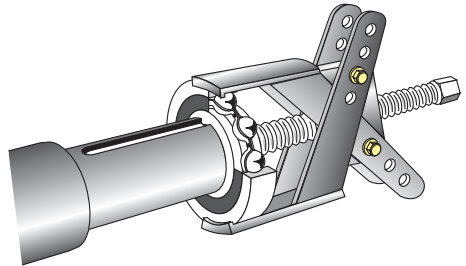
- Open the air intake grille (51).
- Disconnect the diodes.
- Disconnect the diodes using an ohmmeter or a battery lamp.
- Remove the surge suppressor (347).
- Remove the 6 "H" mounting nuts for the diode bridges on the support.
- Change the fitted caps, respecting the polarity.

#### • Access to connections

Access directly by removing the lid of the protective cover (136).

#### • Replacing the NDE bearing on alternators connected to a diesel engine

- Remove the lid of the protective cover (136).
- Disconnect the AVR.
- Disconnect the stator connections (T1 to T12).
- Remove the neutral link (278).
- Take out the connector link assembly (281 + 279).
- Take out the connection plate assembly (281 + 270).
- Remove the rear cross-member (269) and the rear panel (365).
- Remove the air intake grille (51).
- Remove the 4 bearing thrust screws (78).
- Remove all 4 screws (37).
- Take out the bearing (36).
- Remove the ball bearing (70) using a puller with a central screw (see fig. below).



- Check the state of the "O" ring (349) and, if necessary, change it.
- Fit the new bearing, after heating it by induction at approximately 80°C.

#### WARNING

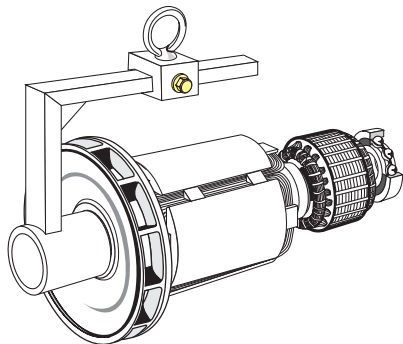
Replace the dismantled bearing with a new one.

# LL 7000

## Low Voltage Alternators - 4 pole

### • Complete dismantling

- Take out the DE bearing (30).
- Support the DE rotor (4) with a strap or with a support constructed following the drawing below.

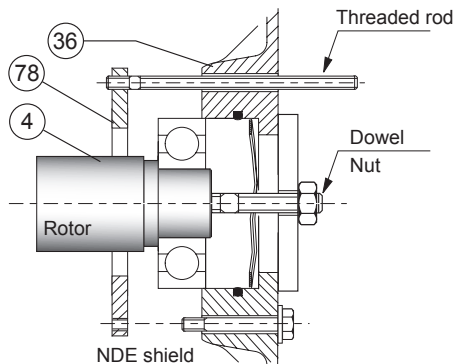


- After extracting the rotor, be careful not to damage the fan and place the revolving field on special V-blocks.
- Remove the NDE bearing ball bearing cover.
- Knock lightly on the shaft end on the opposite side from the coupling using a small mallet.
- Move the strap as the rotor moves in order to distribute the weight over it.
- Remove the NDE bearing following the instructions.

### • Reassembling the bearings

- Place the "O" ring seal (349) and the preloading wavy washer (79) in the bearing seat (36).
- Position on the stator (1), bearings (30) and (36).
- Tighten screws (31) and (37).
- Tilt the inner bearing retainer (78) upwards in order to lubricate the bearing.
- Tighten the 4 HM10 screws on the inner bearing retainer (78).
- Fit the air intake grille (51).

- Replace the rear cross-member (269) and the rear panel (365).
- Replace the connection plate assembly (281 + 270).
- Replace the connector link assembly (281 + 279).
- Replace the neutral link (278).
- Connect the stator connections (T1 to T12) and the sensing wires.
- Refit the panels (367) and 368) and the grilles 254 and 255).
- Reconnect the AVR.
- Refit the lid of the protective cover (48) and the inspection door of the AVR (466).



### • Reassembling the rotor

On single bearing alternators :

- Slide the rotor into the stator and position it as shown in fig above.
- Tilt the inner bearing retainer (78) upwards in order to lubricate the bearing.
- Tighten the 4 HM10 screws on the inner bearing retainer (78).
- Fit the flange and check that the alternator assembly is correctly mounted and that all screws are tightened.

**NOTE : If the rotor has been fully rewound, it must be rebalanced.**

# LL 7000

## Low Voltage Alternators - 4 pole



After operational testing, replace all access panels or covers.

### 4.7 - Installation and maintenance of the PMG

The PMG reference is : PMG 3.  
See the PMG manual ref : 4853.

### 4.8 - Table of characteristics

Table of average values.

Alternator - 4 poles - 50 Hz - Standard winding No. 6.

(400V for the excitation values).

The voltage and current values are given for no-load operation and operation at rated load with separate field excitation. All values are given at  $\pm 10\%$  and may be changed without prior notification (for exact values, consult the test report).

#### • Resistances of main windings at 20°C ( $\Omega$ )

Average values for 6S winding - (6 wires)

Type	Stator L/N	Rotor	Field	Armature
D	0.0055	0.30	12	0,08
H	0.0037	0.33	12	0,08
L	0.003	0.39	12	0,08
P	0.0021	0.43	12	0,08

Average values for 6 winding - (12 wires)

Type	Stator L/N	Rotor	Field	Armature
F	0,0051	0,33	12	0,08
J	0,0044	0,38	12	0,08
L	0,0036	0,38	12	0,08
P	0,0023	0,43	12	0,08

#### • Resistance of AREP auxiliary windings 20°C ( $\Omega$ )

Type	Auxil wdg : X1, X2	Auxil wdg : Z1, Z2
F	0.26	0.36
H	0.23	0.34
J	0.29	0.34
L	0.2	0.27
P	0.18	0.29

#### • Field excitation current $i_{exc}$ (A) 50 - 60 Hz

Type	No load	At rated load
F	0.9	3.4
H	0.93	3.65
J	0.85	3.35
L	0.93	3.26
P	0.93	3.2

#### • Voltage of auxiliary windings at no load

Type	X1, X2	Z1, Z2
50 Hz	90...100 V	10 V
60 Hz	108...120 V	12 V

# LL 7000

## Low Voltage Alternators - 4 pole

### • Table of weights

(values given for information only)

Type	Total weight (kg)	Rotor (kg)
F	1420	540
H	1620	620
J	1620	620
L	1820	700
P	1820	700



**After operational testing, it is essential to replace all access panels or covers.**

# LL 7000

## Low Voltage Alternators - 4 pole

### 5 - SPARE PARTS

#### 5.1 - First maintenance parts

Emergency repair kits are available as an option.

They contain the following items :

Emergency kit AREP	ALT 491 KS 001
AVR R 450	-
Diode bridge assembly	-
Surge suppressor	-

Single-bearing kit	ALT 491 KB 002
Non drive end bearing	-
«O» ring	-
Preloading (wavy) washer	-

#### 5.2 - Technical support service

Our technical support service will be pleased to provide any additional information you may require.

When ordering spare parts, you should indicate the complete machine type, its serial number and the information given on the nameplate.

Address your enquiry to your usual contact.

Part numbers should be identified from the exploded views and their description from the parts list.

Our extensive network of service centres can dispatch the necessary parts without delay.

To ensure correct operation and the safety of our machines, we recommend the use of original manufacturer spare parts.

In the event of failure to comply with this advice, the manufacturer cannot be held responsible for any damage.



**After operational testing, it is essential to replace all access panels or covers.**

#### 5.3 - Accessories

##### • Space heater when stopped

The space heater must run as soon as the alternator stops. It is installed at the rear of the alternator. Its standard power is 250W with 220V or 250W with 110V on request.



**Caution : the power supply is present when the alternator has stopped.**

##### • Temperature probes with thermistors (PTC)

These are thermistor triplets with a positive temperature coefficient installed in the stator winding (1 per phase). There can be a maximum of 2 triplets in the winding (at 2 levels : warning and trip) and 1 or 2 thermistors in the bearings.

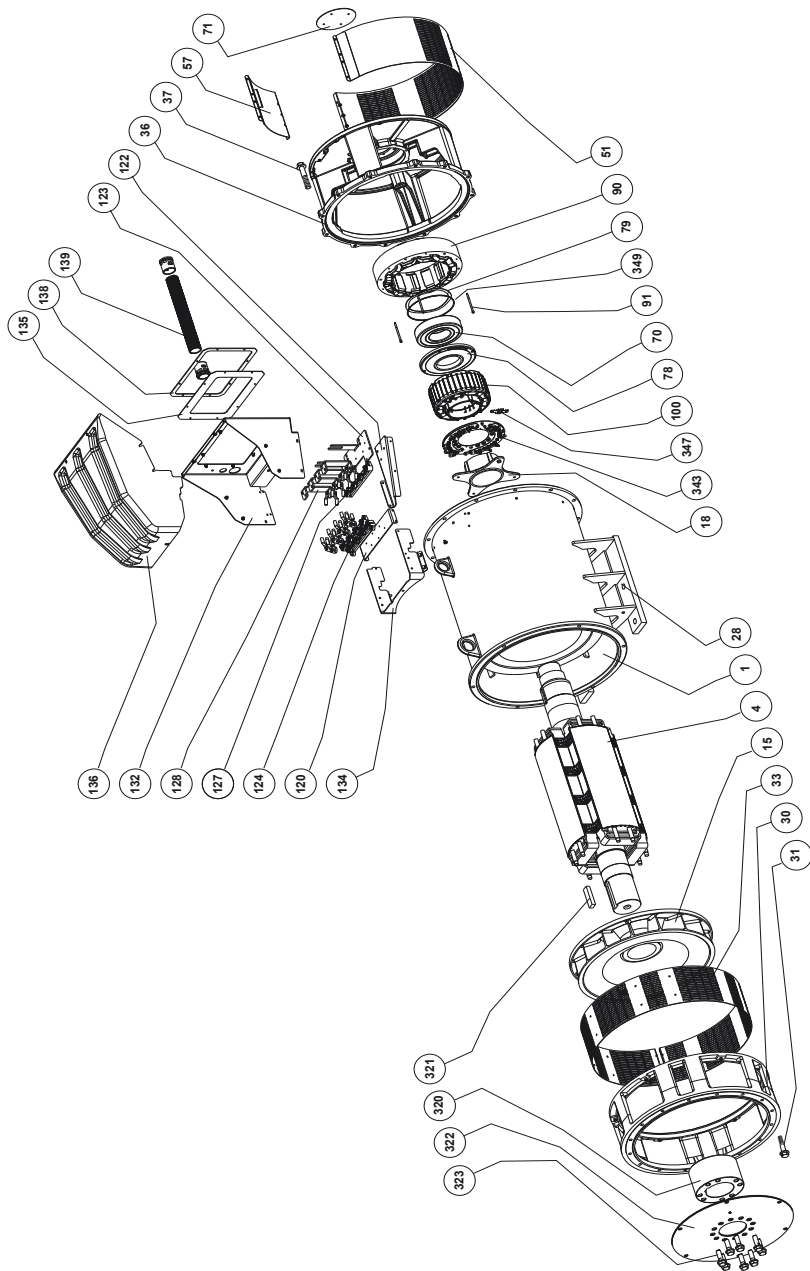
These sensors must be linked to adapted sensing relays (supplied optionally).

Cold resistance of cold thermistor sensors : 100 to 250  $\Omega$  per probe.

# LL 7000

## Low Voltage Alternators - 4 pole

### 5.4 - Exploded view, parts list and tightening torque



# LL 7000

## Low Voltage Alternators - 4 pole

Ref.	Qty	Description	Screw Ø	Torque N.m	Ref.	Qty	Description	Screw Ø	Torque N.m
<b>1</b>	1	Stator assembly	-	-	<b>120</b>	1	Terminal plate support	-	-
<b>4</b>	1	Rotor assembly	-	-	<b>122</b>	1	Supporting angle bar	-	-
<b>15</b>	1	Turbine	-	-	<b>123</b>	1	Output power support	-	-
<b>18</b>	1	Balancing disc	-	-	<b>124</b>	2	Terminal plate	M12	35
<b>28</b>	1	Earth terminal	M12	35	<b>127</b>	1	Connector bar	-	-
<b>30</b>	1	Drive end shield	-	-	<b>128</b>	4	Starting range	-	-
<b>31</b>	6	Fixing screws	M14	110	<b>132</b>	1	Terminal box	-	-
<b>33</b>	1	Protective guard	-	-	<b>134</b>	1	Terminal box support	-	-
<b>36</b>	1	Exciter end shield	-	-	<b>135</b>	1	Seal	-	-
<b>37</b>	4	Fixing screws	M14	110	<b>136</b>	1	Terminal box cover	-	-
<b>51</b>	1	Air intake guard	-	-	<b>138</b>	1	Seal support	-	-
<b>57</b>	1	Left-hand junction panel	-	-	<b>139</b>	1	Sheath support	-	-
<b>70</b>	1	NDE bearing	-	-	<b>320</b>	1	Coupling sleeve	-	-
<b>71</b>	1	Outer bearing retainer	-	-	<b>321</b>	1	Sleeve key	-	-
<b>78</b>	1	Inner bearing retainer	-	-	<b>322</b>	3	Coupling disc	-	-
<b>79</b>	1	Preloading (wavy) washer	-	-	<b>323</b>	8	Fixing screws	M20	340
<b>90</b>	1	Exciter field	-	-	<b>343</b>	1	Diode bridge assembly	M6	10
<b>91</b>	4	Fixing screws	M6	8.3	<b>347</b>	1	Surge suppressor (+ PCB)	-	-
<b>100</b>	1	Exciter armature	-	-	<b>349</b>	1	O ring seal	-	-

# **LL 7000**

## **Low Voltage Alternators - 4 pole**

# LL 7000

## Low Voltage Alternators - 4 pole

### Electric Power Generation Division

## Declaration of CE compliance and incorporation

This Declaration applies to the generators designed to be incorporated into machines complying with the Machinery Directive Nr 2006/42/CE dated 17 May 2006.

MOTEURS LEROY-SOMER Boulevard Marcellin Leroy 16015 ANGOULEME France	MLS HOLICE STLO.SRO SLADKOVSKÉHO 43 772 04 OLOMOUC Czech Republic	MOTEURS LEROY-SOMER 1, rue de la Buelle Boite Postale 1517 45800 St Jean de Braye France	DIVISION LEROY-SOMER STREET EMERSON Nr4 Parcul Industrial Tetarom 2 4000641 Cluj Napoca Romania
---	--	--	---

Declares hereby that the electric generators, as well as their derivatives, manufactured by Leroy Somer or on Leroy Somer's behalf, comply with the following International Standards and Directive :

- EN and IEC 60034 -1, 60034 -5 and 60034 - 22
- ISO 8528 – 3 " Reciprocating internal combustion engine driven alternating current generating sets. Part 3. Alternating current generators for generating sets "
- Low Voltage Directive Nr 2006/95/CE dated 12 December 2006.

Furthermore, these generators, designed in compliance with the Machine Directive Nr 2006/42, are therefore able to be incorporated into Electrical Gen-Sets complying with the following International Directives :

- Machinery Directive Nr 2006/42/CE dated 17 May 2006
- EMC Directive Nr 2004/108/CE dated 15 December 2004, as intrinsic levels of emissions and immunity are concerned

The declaration here above applies for the generators which serial numbers are above the following list, according to the part of the range they are belonging :

LL / LC 1000	: 244650
LL / LC 1100	: 261869
LL / LC 1500	: 269124
LL / LC 2000	: 244394
LL / LC 3000	: 244402
LL / LC 3100	
LL / LC 5000	: 244334
LL / LC 5100	
LL / LC 6100	: 244381
LL / LC 7000	: 244381
LL / LC 7200	
LL 8200 / 1400	: 244838
LL 9100 / 1600	: 603294/004
LL 9200	: 603653
LL 9300	

#### WARNING :

The here above mentioned generators should not be commissioned until the corresponding Gen-Sets have been declared in compliance with the Directives Nr 2006/42/CE et 2004/108/CE, as well as with the other relevant Directives.

Leroy Somer undertakes to transmit, in response to a reasoned request by the national authorities, relevant information on the generator.

**Technical Managers**  
A . DUTAU - Y . MESSIN



