

CD150M Dri-Prime® Pump

The Godwin Dri-Prime CD150M pump is an extremely powerful yet compact pump with flow capabilities to 500 m³/hr and discharge heads to 48 metres.

The CD150M features the unique Godwin high pressure oil bath mechanical seal design. This allows for dry running for prolonged periods while automatically priming and repriming. Able to perform in the toughest conditions, the CD150M can handle solids up to 75 mm in diameter. This makes it an extremely effective pump, suitable for both slurry and clean water applications. The powerful CD150M has proven itself a pump of choice for contractors, local authorities, industrial and environmental companies.



Features and Benefits

- Fully automatic priming from dry to 8.5 metres suction lift.
- Godwin Dri-Prime is a continuously operated Venturi air ejector priming device which requires no periodic adjustment or control.
- Extensive application flexibility. It will handle sewage, slurries and liquids with solids up to 75 mm in diameter.
- Dry-running high pressure liquid bath mechanical seal, with high abrasion resistant silicon carbide faces.
- A Close-coupled centrifugal pump with Godwin Dri-Prime system mounted to a diesel engine or electric drive.
- All cast iron construction (stainless steel construction option available) with cast steel impeller.
- Also available as Hush-Pac or as a bareshaft pumpend.
- Standard build engines; Perkins 1104D-44TA, Perkins 404D-22, Perkins 1104D-44T, Perkins 404D-22T. Other engine options are available.

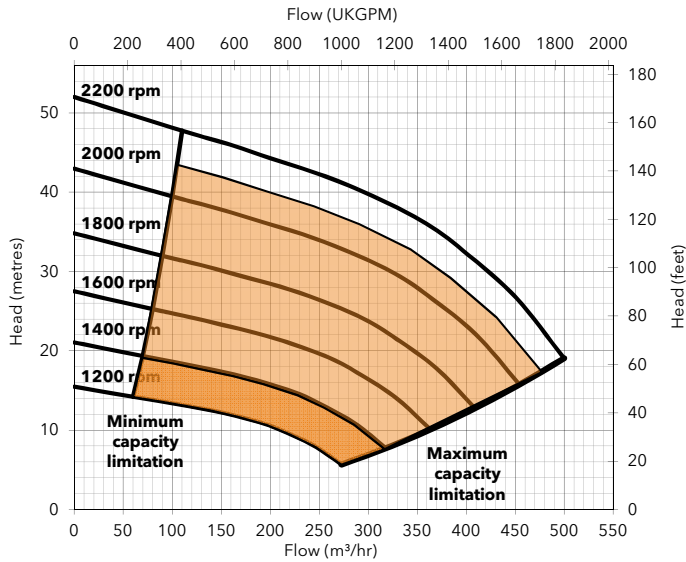
Specifications

Suction connection	150 mm (6" BS10 Table 'D')
Delivery connection	150 mm (6" BS10 Table 'D')
Max capacity	500 m ³ /hr
Max Solids handling	75 mm
Max Impeller diameter	280 mm
Max operating temperature	80 °C *
Max pressure	5.1 bar
Max suction pressure	4.0 bar
Max casing pressure	7.6 bar
Max operating speed	2200 rpm

* Please contact our office for applications in excess of 80°C.

godwin 
a xylem brand

Performance Curve



Engine option 1

Price list ref - CD150M-01-DBO-004

Perkins, 1104D-44TA, 63.7 kW @ 2100 rpm

Impeller diameter 280 mm

Pump Speed 2100 rpm

Suction Lift Table

Total Suction Head (metres)	Total Delivery Head (metres)				
	8	12	17	22	33
	Output (m³/hr)				
3.0	473	462	452	410	294
4.6	446	420	394	341	252
6.1	315	315	315	289	184
7.6	273	263	242	210	105

Fuel capacity (Full) 390 litres, (Usable) 318 litres

Fuel consumption @ 1800 rpm 15.1 litres/hour

Weight: (Dry) 1,800 kg, (Wet) 2,131 kg

Dimensions: (L) 2,500 x (W) 1,300 x (H) 1,900 mm

Performance data provided in tables is based on water tests at sea level and 20°C ambient. All information is approximate and for general guidance only. Please contact the factory or office for further details.

Materials

Pump casing & suction cover	Cast iron BS EN 1561 - 1997
Wearplates	Cast iron BS EN 1561 - 1997
Pump Shaft	Carbon steel BS 970 - 1991 817M40T
Impeller	Cast Steel BS3100 A5 Hardness to 200 HB Brinell
Non-return Valve body	Cast iron BS EN 1561 - 1997
Mechanical Seal Faces	Silicon carbide vs silicon carbide

Engine option 2

Price list ref - CD150M-01-DBO-001

Perkins, 404D-22, 18.7 kW @ 1500 rpm

Impeller diameter 260 mm

Pump Speed 1500 rpm

Suction Lift Table

Total Suction Head (metres)	Total Delivery Head (metres)				
	2	4	6	8	13
	Output (m³/hr)				
3.0	313	306	299	272	195
4.6	296	279	261	226	167
6.1	209	209	209	192	122
7.6	181	174	160	139	70

Fuel capacity (Full) 170 litres, (Usable) 140 litres

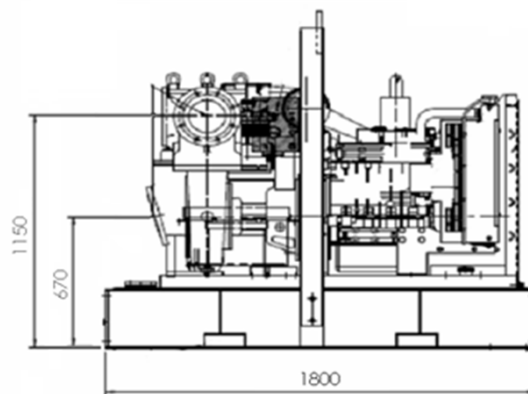
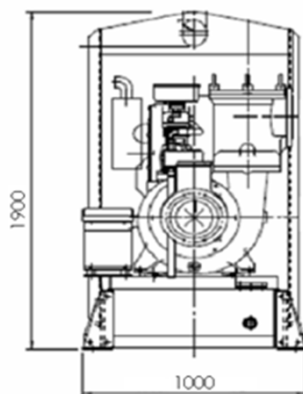
Fuel consumption @ 1800 rpm 5.7 litres/hour

Weight: (Dry) 1,200 kg, (Wet) 1,345 kg

Dimensions: (L) 1,800 x (W) 1,000 x (H) 1,900 mm

Performance data provided in tables is based on water tests at sea level and 20°C ambient. All information is approximate and for general guidance only. Please contact the factory or office for further details.

CD150M - Perkins 404D-22



Xylem Dewatering Solutions UK Ltd
 Quenington, Cirencester
 Gloucestershire GL7 5BX, England
 Tel: +44 (0)1285 750271 Fax: +44 (0)1285 750352



Assessed to ISO 9001:2008
 Certificate N° 1027

Reference number : 95-1011-1000
 Date of issue : 08 November 2013
 Issue : 12

www.godwinpumps.com